

# 8-bit Proprietary Microcontroller

CMOS

## F<sup>2</sup>MC-8L MB89910 Series

### MB89913/915/P915/PV910

#### DESCRIPTION

The MB89910 series has been developed as a general-purpose version of the F<sup>2</sup>MC\*-8L family consisting of proprietary 8-bit, single-chip microcontrollers.

In addition to a compact instruction set, the microcontrollers contain a variety of peripheral functions such as dual-clock control system, five operating speed control stages, timers, a serial interface, an A/D converter, a buzzer output, a low-voltage detection reset, high-voltage driver, a watch prescaler, and external interrupts.

The MB89910 series is applicable to a wide range of applications from consumer products to industrial equipments.

\*: F<sup>2</sup>MC stands for FUJITSU Flexible Microcontroller.

#### FEATURES

- Minimum execution time: 0.50  $\mu$ s/8.0 MHz oscillation
- Interrupt processing time: 4.50  $\mu$ s/8.0 MHz oscillation
- F<sup>2</sup>MC-8L family CPU core

Instruction set optimized for controllers

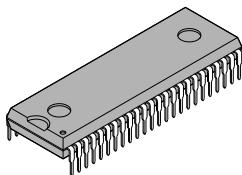
Multiplication and division instructions  
16-bit arithmetic operations  
Test and branch instructions  
Bit manipulation instructions, etc.

- Dual-clock control system

(Continued)

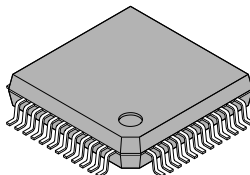
#### PACKAGE

48-pin Plastic SH-DIP



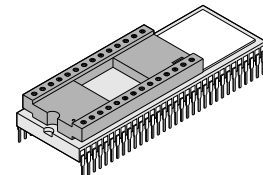
(DIP-48P-M01)

48-pin Plastic QFP



(FPT-48P-M15)

64-pin Ceramic MDIP



(MDP-64C-P02)

# MB89910 Series

*(Continued)*

- High-voltage ports (built-in a pull-down resistor capable)
  - 8 ports for large current
  - 10 ports for small current
- 8-bit PWM timer: 1 channel
- 16-bit timer/counter: 1 channel
- 21-bit timebase timer
- 8-bit serial I/O: 1 channel
- 8-bit A/D converter: 8 channels
- External interrupt
  - Edge detection function
  - Two channels, including one of which voltage can be applied from  $-0.3$  to  $+7.0$  V
- Low-voltage detection reset (excluding the MB89PV910)
- Low-power consumption modes (subclock mode, watch mode, sleep mode, and stop mode)
- Reset output and power-on reset function
- Watch prescaler

**MB89910 Series****■ PRODUCT LINEUP**

Part number Parameter	MB89913	MB89915	MB89P915	MB89PV910
Classification	Mass production product (mask ROM product)		One-time PROM product	Piggyback/ evaluation product (for evaluation and development)
ROM size	8 K × 8 bits (internal mask ROM)	16 K × 8 bits (internal mask ROM)	16 K × 8 bits (internal PROM, programmable with general-purpose EPROM programmer)	32K × 8 bits (Piggyback) (External ROM)
RAM size	256 × 8 bits	512 × 8 bits		1 K × 8 bits
CPU functions	Number of instructions: 136 Instruction bit length: 8 bits Instruction length: 1 to 3 bytes Data bit length: 1, 8, 16 bits Minimum execution time: 0.50 μs/8.0 MHz to 8.00 μs/8.0 MHz, or 61 μs/32.768 kHz Interrupt processing time: 4.5 μs/8.0 MHz to 72.0 μs/8.0 MHz, or 549.3 μs/32.768 kHz Note: The above times depend on the gear function.			
Ports	High-voltage output ports (P-ch open-drain): 8 (P10 to P17 for large current) 10 (P20 to P27 and P50 to P51 for small current) I/O ports (CMOS): 13 (P00 to P07, P34 to P37, and P40) I/O ports (N-ch open-drain): 6 (P30 to P33, P41, P42) Input ports (CMOS): 2 (P60 and P61 also serve as a subclock pin) Total: 39			
Timebase timer (Timer 1)	Capable of generating four different intervals at 8.0-MHz oscillation: 0.26, 0.51, 1.02, and 524.0 ms			
8-bit PWM timer (Timer 2)	8-bit timer operation (square wave output capable. Operation clock: 1, 2, 8, or 16 instruction cycles) 8-bit resolution PWM operation (Conversion cycle: 128 μs to 2.0 ms at 8.0 MHz)			
16-bit timer/counter (Timer 3)	16-bit timer operation (operating clock: 1 instruction cycle) 16-bit event counter operation (Rising/falling/both edges selectable)			
8-bit serial I/O	8 bits LSB first/MSB first selectable Transfer clock (external, 4/8/16 instruction cycles)			
8-bit A/D converter	8-bit resolution × 8 channels A/D conversion mode (conversion time of 22.0 μs/8.0 MHz) Sense mode (conversion time of 6.0 μs/8.0 MHz) Continuous activation enabled by external clock or internal clock Reference voltage input (AVR) is provided.			

(Continued)

# MB89910 Series

(Continued)

Part number Parameter	MB89913	MB89915	MB89P915	MB89PPV910
External interrupt	2 independent channels (edge selection, interrupt vector, factor flag) Rising/ falling/both edges selectable Built-in analog noise canceller Used also for wake-up stop/sleep modes. (Edge detection is also permitted in stop mode.)			
Low-voltage detection reset	Continuous operation (detection power supply voltage of 4.0±0.3 V, 3.6±0.3 V or 3.3±0.3 V) Intermittent operation (Activated for each watch interrupt under the dual-clock system)			Not available
Low-power consumption (Standby mode)	Sleep mode, stop mode, and watch mode			
Process	CMOS			
Operating voltage*	3.8 V to 5.5 V 4.5 V to 5.5 V			
EPROM for use				MBM27C256A-20CZ

\* : Varies with conditions such as the operating frequency. (See section “■ Electrical Characteristics.”)  
In the case of the MB89PV910, the voltage varies with the ICE or the EPROM to be connected.

## ■ PACKAGE AND CORRESPONDING PRODUCTS

Package	MB89913 MB89915 MB89P915	MB89PV910
DIP-48P-M01	○	×
FPT-48P-M15	○*1	×
MDP-64C-P02	×	○*2

○ : Available    × : Not available

\*1: Under examination for development

\*2: Available by conversion from MDIP-64 to SH-DIP-48

64SD-48SD-8L2: For conversion (MDP-64C-P02) → DIP-48P-M01

Inquiry: Sun Hayato Co., Ltd.: TEL: (81)-3-3986-0403

FAX: (81)-3-5396-9106

Note: For more information about each package, see section “■ Package Dimensions.”

## ■ DIFFERENCES AMONG PRODUCTS

### 1. Memory Size

Before evaluating using the piggyback product, verify its differences from the product that will actually be used. Take particular care on the following points:

- The stack area, etc., is set at the upper limit of the RAM.

### 2. Current Consumption

- In the case of the MB89PV910, add the current consumed by the EPROM which is connected to the top socket.
- When operated at low speed, the product with an OTPROM (one-time PROM) or an EPROM will consume more current than the product with a mask ROM.

However, the current consumption in sleep/stop modes is the same. (For more information, see sections “■ Electrical Characteristics” and “■ Example Characteristics.”)

### 3. Mask Options

Functions that can be selected as options and how to designate these options vary by the product.

Before using options check section “■ Mask Options.”

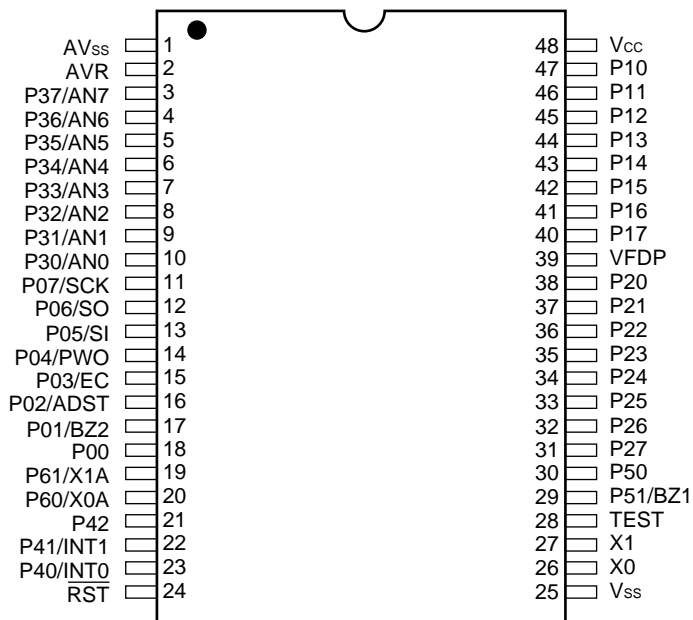
Take particular care on the following points:

- A pull-down resistor for P10 to P17, P20 to P27, and for P50 to P51 cannot be set for the MB89P915 and MB89PV910. The MB89915 and MB89913 allow a pull-down resistor to be set for individual pins. Such pins on the MB89P915 and MB89PV910 are fixed to have no pull-down resistor.
- The low-voltage detection reset cannot be used on the MB89PV910. The voltage to be detected by the low-voltage detection reset is set by using a register for the MB89P915 and by using a mask option for the MB89915 and MB89913. If the detection voltage has been set to a lower value than the operating voltage, however, use the gear function to operate the device with the faster clock at a lower speed, or operate the device with the slower clock. Note that the results of operation are unpredictable if the device is attempted to operate at a lower voltage than the operating voltage with the faster clock put in top gear.

# MB89910 Series

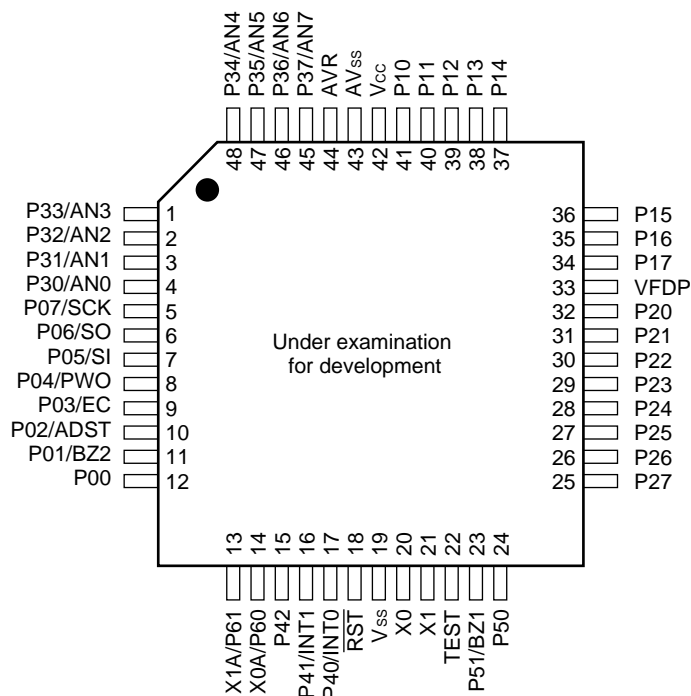
## ■ PIN ASSIGNMENT

(Top view)



(DIP-48P-M01)

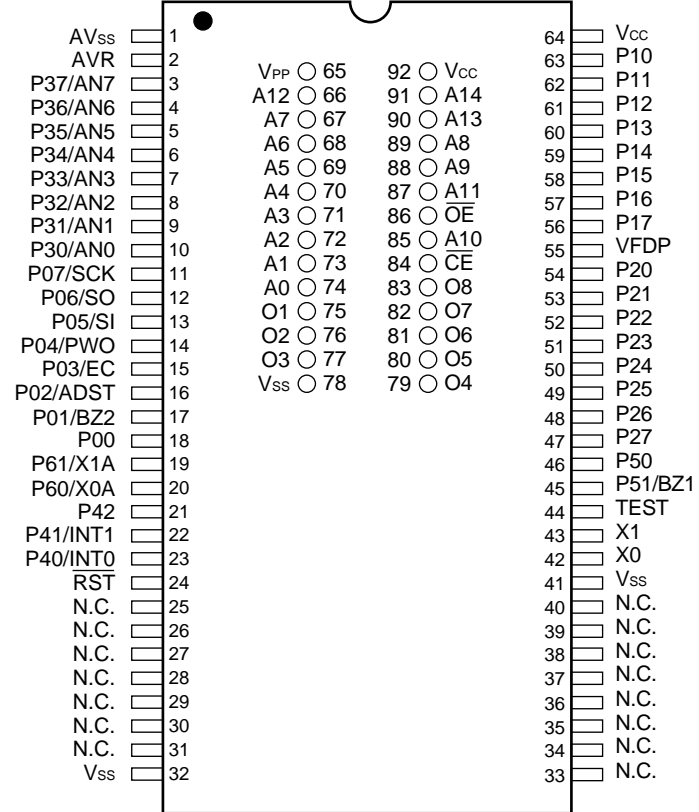
(Top view)



(FPT-48P-M15)

# MB89910 Series

(Top view)



(MDP-64C-P02)

# MB89910 Series

## ■ PIN DESCRIPTION

Pin no.			Pin name	Circuit type	Function
SH-DIP*1	QFP*2	MDIP*3			
26	20	42	X0	A	Main clock crystal oscillator pins
27	21	43	X1		
20	14	20	X0A/P60	I	These pins can select either general-purpose CMOS inputs or subclock oscillator pins by the mask options. When these pins are used as a general-purpose input pin, the pin is a hysteresis input with a built-in noise canceller.
19	13	19	X1A/P61		
24	18	24	RST	C	Reset I/O pin This pin is an N-ch open-drain output type with pull-up resistor and a hysteresis input type. "L" is output from this pin by an internal source. The internal circuit is initialized by the input of "L". This pin is with a noise canceller.
18	12	18	P00	D	General-purpose CMOS I/O port This port input is a hysteresis input, with a built-in noise canceller.
17	11	17	P01/BZ2	D	General-purpose CMOS I/O port This port input is a hysteresis input, with a built-in noise canceller. Also serves as a buzzer output.
16	10	16	P02/ADST	D	General-purpose CMOS I/O port This port input is a hysteresis input, with a built-in noise canceller. Also serves as the external activation pin for the A/D converter.
15	9	15	P03/EC	D	General-purpose CMOS I/O port This port input is a hysteresis input, with a built-in noise canceller. Also serves as the external clock input for the 16-bit timer/counter.
14	8	14	P04/PWO	D	General-purpose CMOS I/O port This port input is a hysteresis input, with a built-in noise canceller. Also serves as the PWM output for the 8-bit PWM timer.
13, 12	7, 6	13, 12	P05/SI, P06/SO	D	General-purpose CMOS I/O ports These port inputs are a hysteresis input, with a built-in noise canceller. Also serve as serial data outputs for the 8-bit serial interface.
11	5	11	P07/SCK	D	General-purpose CMOS I/O port This port input is a hysteresis input, with a built-in noise canceller. Also serves as the serial transfer clock output for the 8-bit serial interface.
47 to 40	41 to 34	63 to 56	P10 to P17	G	P-ch high-voltage open-drain output ports for large current

\*1: DIP-48P-M01

\*2: FPT-48P-M15

\*3: MDP-64C-P02

(Continued)



**MB89910 Series**

(Continued)

Pin no.			Pin name	Circuit type	Function
SH-DIP*1	QFP*2	MDIP*3			
38 to 31	32 to 25	54 to 47	P20 to P27	G	P-ch high-voltage open-drain output ports for small current
10 to 7	4 to 1	10 to 7	P30/AN0 to P33/AN3	H	General-purpose N-ch open-drain I/O ports These port inputs are a hysteresis input, each with a built-in noise canceller. Although the pins are also serve as an analog inputs, an analog input does not pass through their noise cancellers.
6 to 3	48 to 45	6 to 3	P34/AN4 to P37/AN7	F	General-purpose CMOS I/O ports These port inputs are a hysteresis input, each with a built-in noise canceller. Although the pins are also serve as an analog inputs, an analog input does not pass through their noise cancellers.
23	17	23	P40/INT0	D	General-purpose CMOS I/O port This port input is a hysteresis input, with a built-in noise canceller. Also serves as an external interrupt. External interrupt input passes through the noise canceller.
22	16	22	P41/INT1	E	General-purpose N-ch open-drain I/O port This port input is a hysteresis input, with a built-in noise canceller. Also serves as an external interrupt. External interrupt input passes through the noise canceller.
21	15	21	P42	E	General-purpose N-ch open-drain I/O port This port input is a hysteresis input, with a built-in noise canceller.
30	24	46	P50	G	P-ch high-voltage open-drain output ports for small current
29	23	45	P51/BZ1	G	P-ch high-voltage open-drain output port for small current Also serves as a buzzer output.
28	22	44	TEST	B	Operating mode selection pin Usually, connect to $V_{SS}$ directly. On the product with an EPROM, the pin is the $V_{PP}$ pin.
39	33	55	VFDP	—	Voltage supply pin connected to a pull-down resistor for ports 1, 2, and 5 In products without a pull-down resistor, in the MB89P915, and in the MB89PV910, this pin should be left open.

\*1: DIP-48P-M01

\*2: FPT-48P-M15

\*3: MDP-64C-P02

(Continued)

# MB89910 Series

(Continued)

Pin no.			Pin name	Circuit type	Function
SH-DIP*1	QFP*2	MDIP*3			
48	42	64	V <sub>CC</sub>	—	Power supply pin
25	19	32, 41	V <sub>SS</sub>	—	Power supply (GND) pin
1	43	1	AV <sub>SS</sub>	—	A/D converter power supply pin Use this pin at the same voltage as V <sub>SS</sub> .
2	44	2	AVR	—	A/D converter reference voltage input pin

\*1: DIP-48P-M01

\*2: FPT-48P-M15

\*3: MDP-64C-P02

# MB89910 Series

- External EPROM pins (MDIP only)

Pin no. MDIP*	Pin name	I/O	Function
65	V <sub>PP</sub>	O	"H" level output pin
66 67 68 69 70 71 72 73 74	A12 A7 A6 A5 A4 A3 A2 A1 A0	O	Address output pins
75 76 77	O1 O2 O3	I	Data input pins
78	V <sub>SS</sub>	O	Power supply (GND) pin
79 80 81 82 83	O4 O5 O6 O7 O8	I	Data input pins
84	$\overline{CE}$	O	ROM chip enable pin Outputs "H" during standby.
85	A10	O	Address output pin
86	$\overline{OE}$	O	ROM output enable pin Outputs "L" at all times.
87 88 89	A11 A9 A8	O	Address output pin
90	A13	O	
91	A14	O	
92	V <sub>CC</sub>	O	EPROM power supply pin

\* : MDP-64C-P02

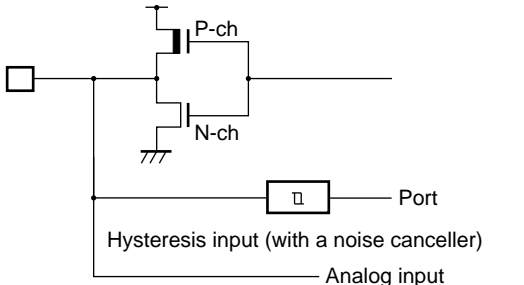
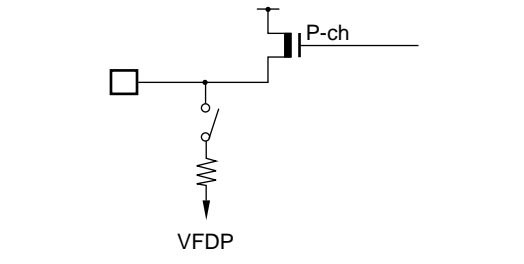
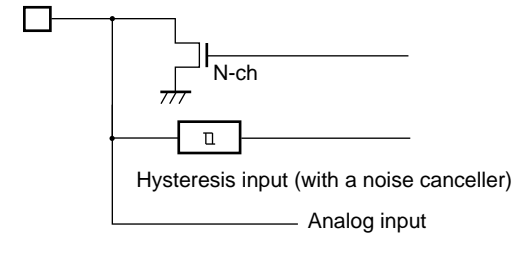
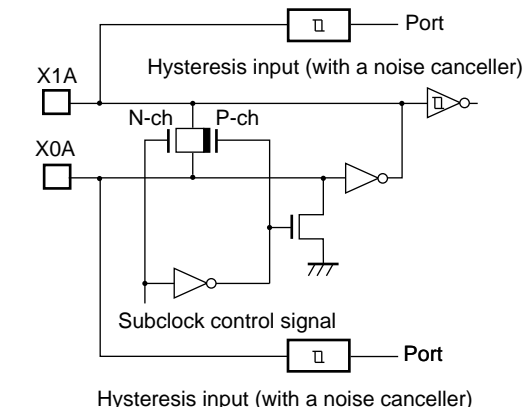
# MB89910 Series

## ■ I/O CIRCUIT TYPE

Type	Circuit	Remarks
A	<p>Main clock control signal</p>	<ul style="list-style-type: none"> <li>• Main clock</li> <li>• At an oscillation feedback resistor of approximately 1 M<math>\Omega</math>/5.0 V</li> </ul>
B		
C	<p>Hysteresis input (with a noise canceller)</p>	<ul style="list-style-type: none"> <li>• At an output pull-up resistor (P-ch) of approximately 50 k<math>\Omega</math>/5.0 V</li> <li>• CMOS hysteresis input (with a noise canceller)</li> </ul>
D	<p>Hysteresis input (with a noise canceller)</p>	<ul style="list-style-type: none"> <li>• CMOS I/O</li> <li>• CMOS hysteresis input (with a noise canceller)</li> </ul>
E	<p>Hysteresis input (with a noise canceller)</p>	<ul style="list-style-type: none"> <li>• N-ch open-drain I/O</li> <li>• CMOS hysteresis input (with a noise canceller)</li> </ul>

(Continued)

(Continued)

Type	Circuit	Remarks
F	 <p>P-ch N-ch Port Hysteresis input (with a noise canceller) Analog input</p>	<ul style="list-style-type: none"> <li>• CMOS output</li> <li>• CMOS hysteresis input (with a noise canceller excluding analog inputs)</li> </ul>
G	 <p>P-ch VFDP Hysteresis input (with a noise canceller) Analog input</p>	<ul style="list-style-type: none"> <li>• P-ch high-voltage open-drain output</li> <li>• At an output pull-down resistor of approximately 100 k<math>\Omega</math>/5.0 V</li> </ul>
H	 <p>N-ch Port Hysteresis input (with a noise canceller) Analog input</p>	<ul style="list-style-type: none"> <li>• N-ch open-drain output</li> <li>• CMOS hysteresis input (with a noise canceller excluding analog inputs)</li> </ul>
I	 <p>Port Hysteresis input (with a noise canceller) X1A N-ch P-ch X0A Subclock control signal Port Hysteresis input (with a noise canceller)</p>	<ul style="list-style-type: none"> <li>• Subclock The oscillation feedback resistor is built only in the MB89PV910.</li> <li>• CMOS hysteresis input (with a noise canceller) when no subclock is being used</li> </ul>

# MB89910 Series

## ■ HANDLING DEVICES

### 1. Preventing Latchup

Latchup may occur on CMOS ICs if voltage higher than  $V_{CC}$  or lower than  $V_{SS}$  is applied to input and output pins other than medium- and high-voltage pins or if higher than the voltage which shows on “1. Absolute Maximum Ratings” in section “■ Electrical Characteristics” is applied between  $V_{CC}$  and  $V_{SS}$ .

When latchup occurs, power supply current increases rapidly and might thermally damage elements. When using, take great care not to exceed the absolute maximum ratings.

Also, take care to prevent the analog power supply ( $AV_{CC}$  and  $AVR$ ) and analog input from exceeding the digital power supply ( $V_{CC}$ ) when the analog system power supply is turned on and off.

### 2. Treatment of Unused Input Pins

Leaving unused input pins open could cause malfunctions. They should be connected to a pull-up or pull-down resistor.

### 3. Treatment of Power Supply Pins on Microcontrollers with A/D and D/A Converters

Connect to be  $AV_{CC} = DAVC = V_{CC}$  and  $AV_{SS} = AVR = V_{SS}$  even if the A/D and D/A converters are not in use.

### 4. Treatment of N.C. Pins

Be sure to leave (internally connected) N.C. pins open.

### 5. Power Supply Voltage Fluctuations

Although  $V_{CC}$  power supply voltage is assured to operate within the rated range, a rapid fluctuation of the voltage could cause malfunctions, even if it occurs within the rated range. Stabilizing voltage supplied to the IC is therefore important. As stabilization guidelines, it is recommended to control power so that  $V_{CC}$  ripple fluctuations (P-P value) will be less than 10% of the standard  $V_{CC}$  value at the commercial frequency (50 to 60 Hz) and the transient fluctuation rate will be less than 0.1 V/ms at the time of a momentary fluctuation such as when power is switched.

### 6. Precautions when Using an External Clock

When an external clock is used, oscillation stabilization time is required even for power-on reset (optional) and wake-up from stop mode.

**PROGRAMMING TO EPROM ON THE MB89P915**

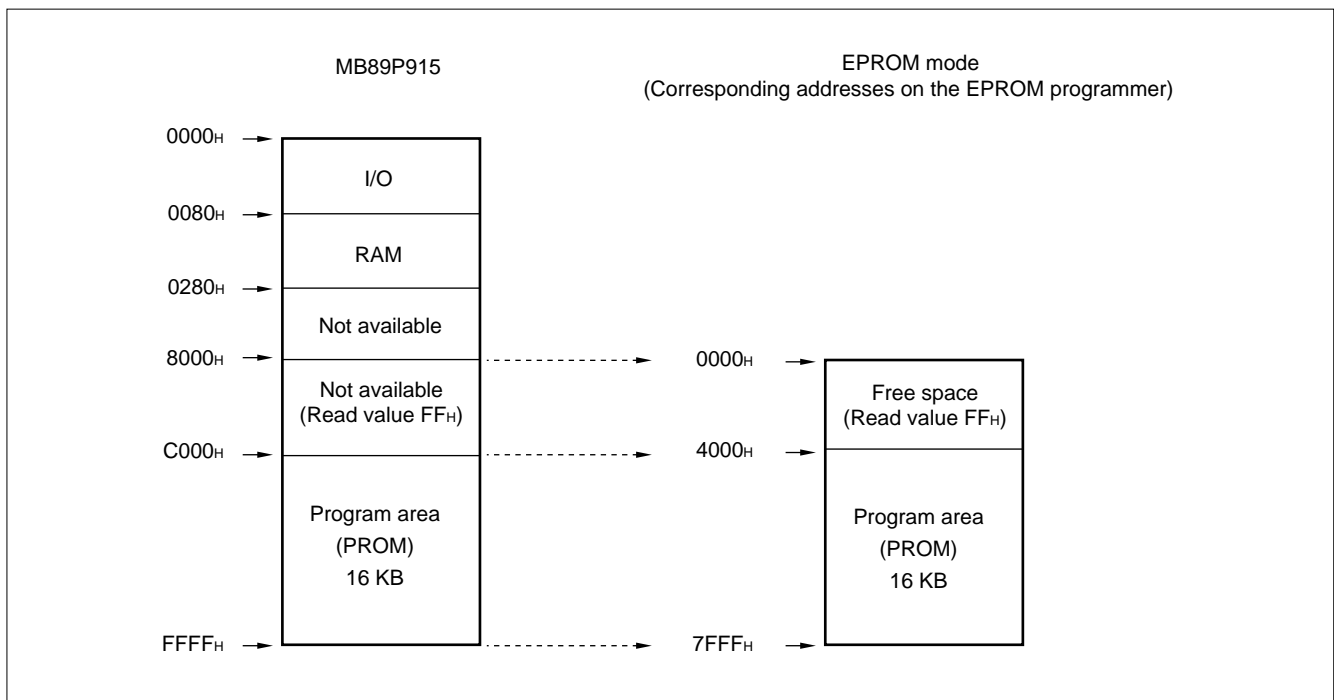
The MB89P915 is an OTPROM version of the MP89910 series.

**1. Features**

- 16-Kbyte PROM on chip

**2. Memory Space**

Memory space in each mode such as 16-Kbyte PROM mode is diagrammed below.

**3. Programming to the EPROM**

Since the MB89P915 requires a special method for programming to its PROM, the types of general-purpose EPROM programmers applicable to the MB89P915 are limited. Programming to the PROM on the MB89P915 requires an EPROM programmer applicable to the MB89P915 and a dedicated adapter.

When the operating ROM area for a single chip is 16 Kbytes (C000<sub>H</sub> to FFFF<sub>H</sub>) the PROM can be programmed as follows:

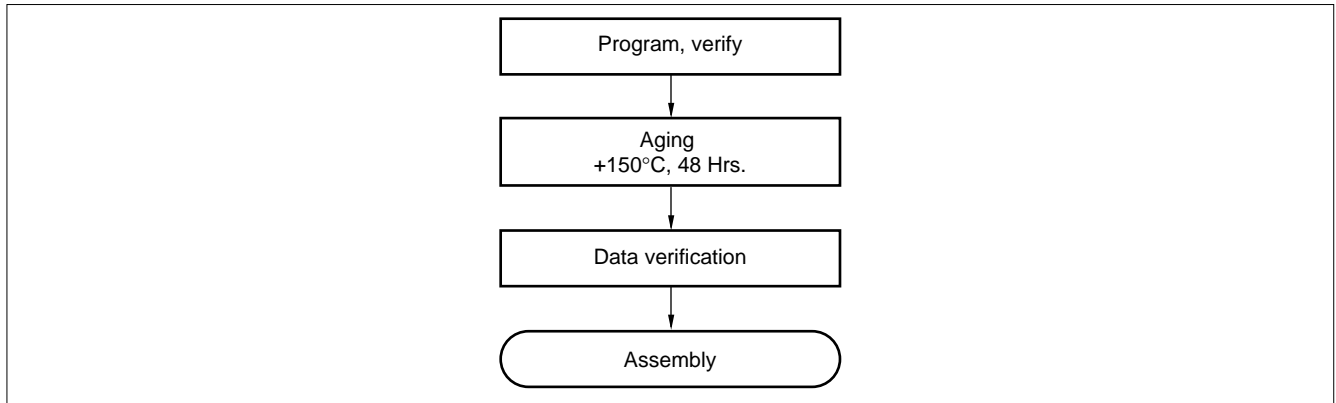
- **Programming procedure**

- (1) Set the EPROM programmer to the MB89P915.
- (2) Load program data into the EPROM programmer at 4000<sub>H</sub> to 7FFF<sub>H</sub>. (note that addresses 0C000<sub>H</sub> to 0FFFF<sub>H</sub> in the operation mode correspond to 4000<sub>H</sub> to 7FFF<sub>H</sub> in EPROM mode.)
- (3) Program with the EPROM programmer.

# MB89910 Series

## 4. Recommended Screening Conditions

High-temperature aging is recommended as the pre-assembly screening procedure for a product with a blanked OTPROM microcomputer program.



## 5. Programming Yield

All bits cannot be programmed at Fujitsu shipping test to a blanked OTPROM microcomputer, due to its nature. For this reason, a programming yield of 100% cannot be assured at all times.

## 6. EPROM Programmer Socket Adapter and Recommended Programmer Manufacturer

Part no.	Package	Compatible socket adapter Sun Hayato Co., Ltd.	Recommended programmer manufacturer and programmer name		
			Data I/O Co., Ltd.		
			UNISITE (ver.5.0 or later)	3900 (ver.2.8 or later)	2900 (ver.3.8 or later)
MB89P915P-SH	SH-DIP-48	ROM-48QF2-28DP-8L	Recommended		

Inquiry: Sun Hayato Co., Ltd.: TEL: (81)-3-3986-0403

FAX: (81)-3-5396-9106

Data I/O Co., Ltd.: TEL: USA/ASIA (1)-206-881-6444

EUROPE (49)-8-985-8580



**■ PROGRAMMING TO THE EPROM WITH PIGGYBACK/EVALUATION DEVICE****1. EPROM for Use**

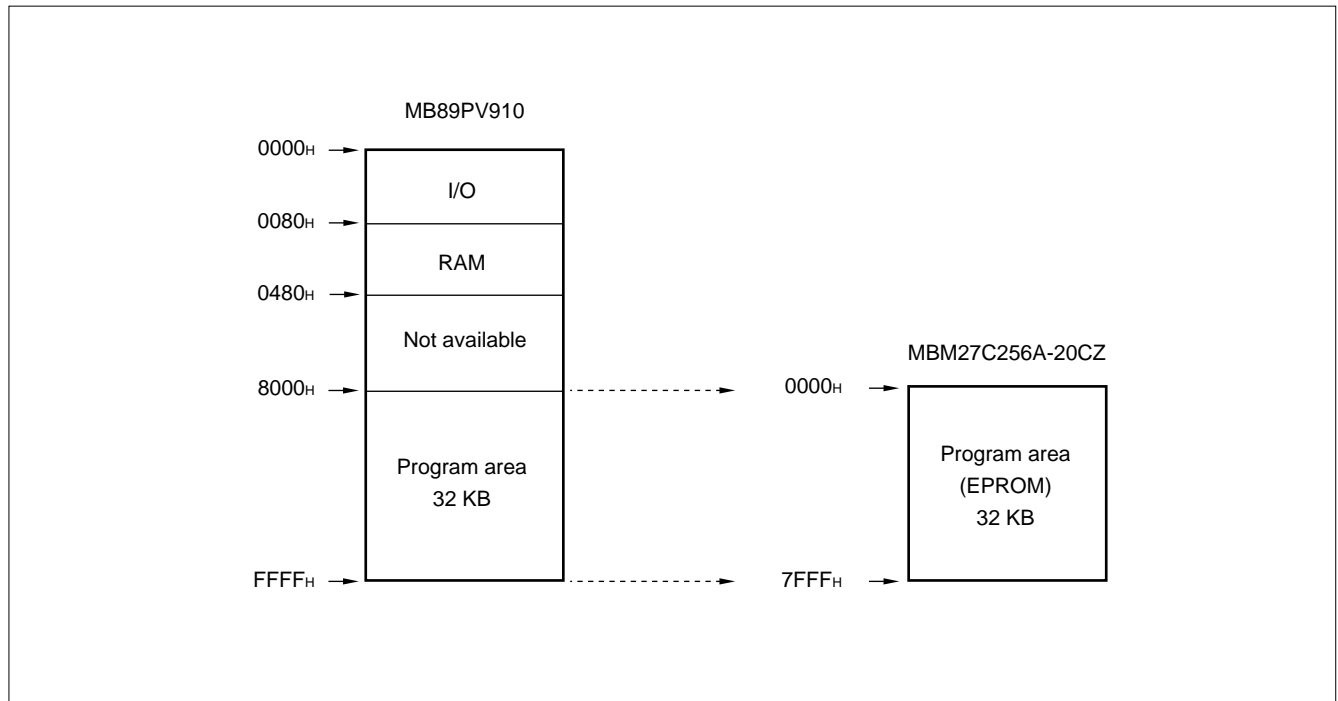
MBM27C256A-20CZ

**2. Programming Socket Adapter**

Any special programming adapter is not required since the package for the EPROM to be used is DIP-28.

**3. Memory Space**

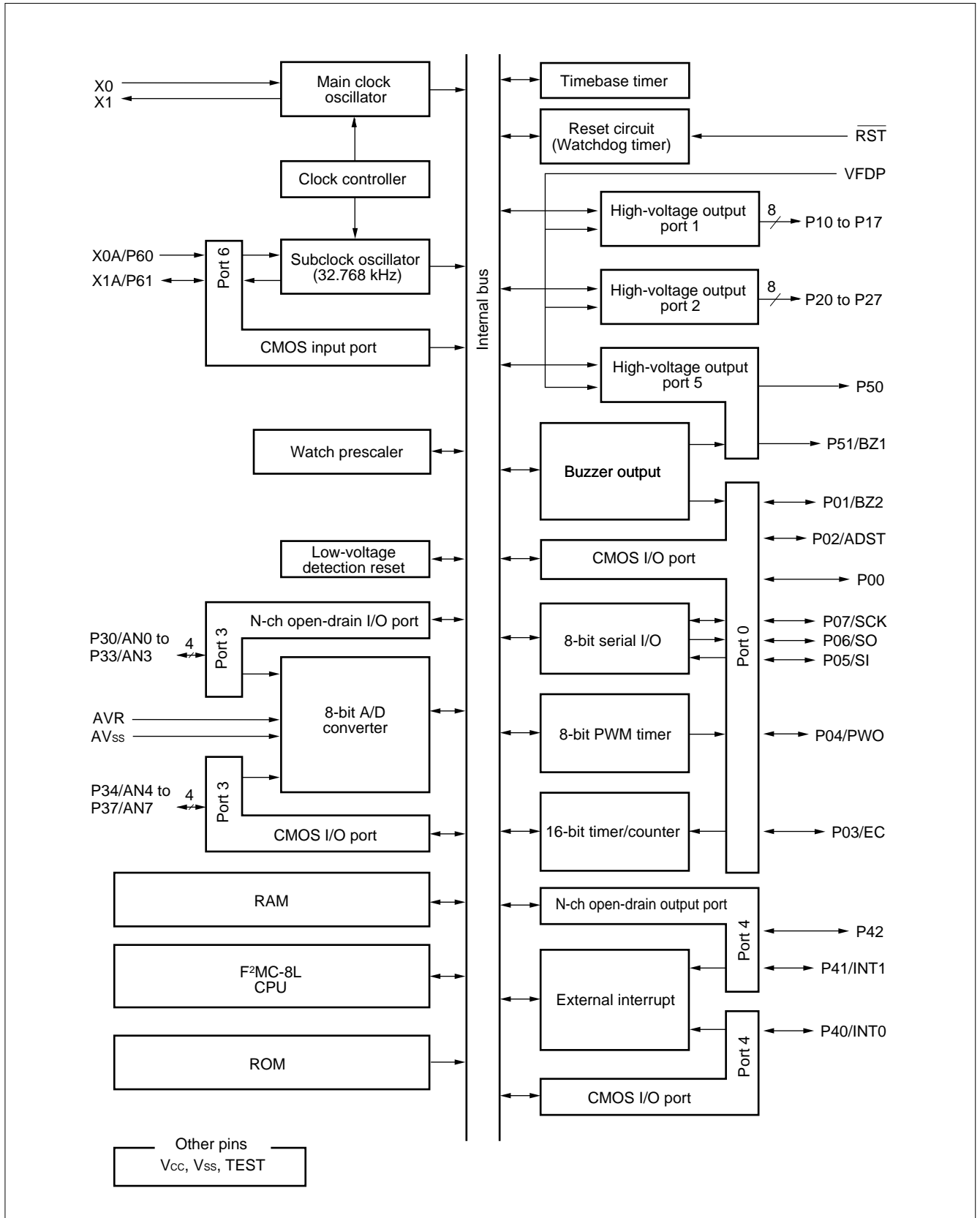
EPROM memory space and the memory space on the MB89PV910 are diagrammed below.

**4. Programming to the EPROM**

- (1) Set the EPROM programmer to the MBM27C256A-20CZ.
- (2) Load program data into the EPROM programmer at 0000H to 7FFFH. (note that addresses 08000H to 0FFFFH in the operation mode correspond to 0000H to 7FFFH in the EPROM mode.)
- (3) Program with the EPROM programmer.

# MB89910 Series

## ■ BLOCK DIAGRAM

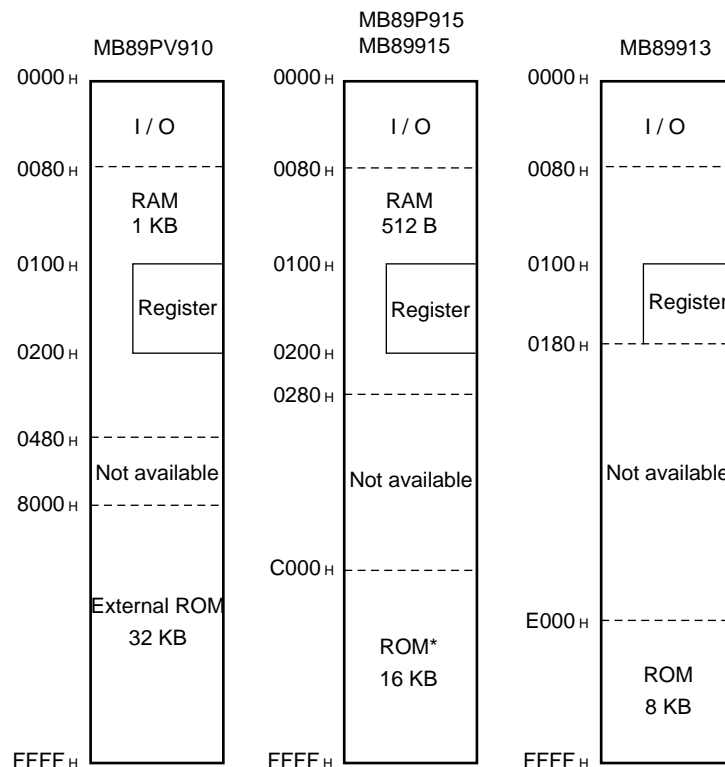


## ■ CPU CORE

### 1. Memory Space

The microcontrollers of the MB89910 series offer a memory space of 64 Kbytes for storing all of I/O, data, and program areas. The I/O area is located the lowest address. The data area is provided immediately above the I/O area. The data area can be divided into register, stack, and direct areas according to the application. The program area is located at exactly the opposite end, that is, near the highest address. Provide the tables of interrupt reset vectors and vector call instructions toward the highest address within the program area.

#### • Memory Space



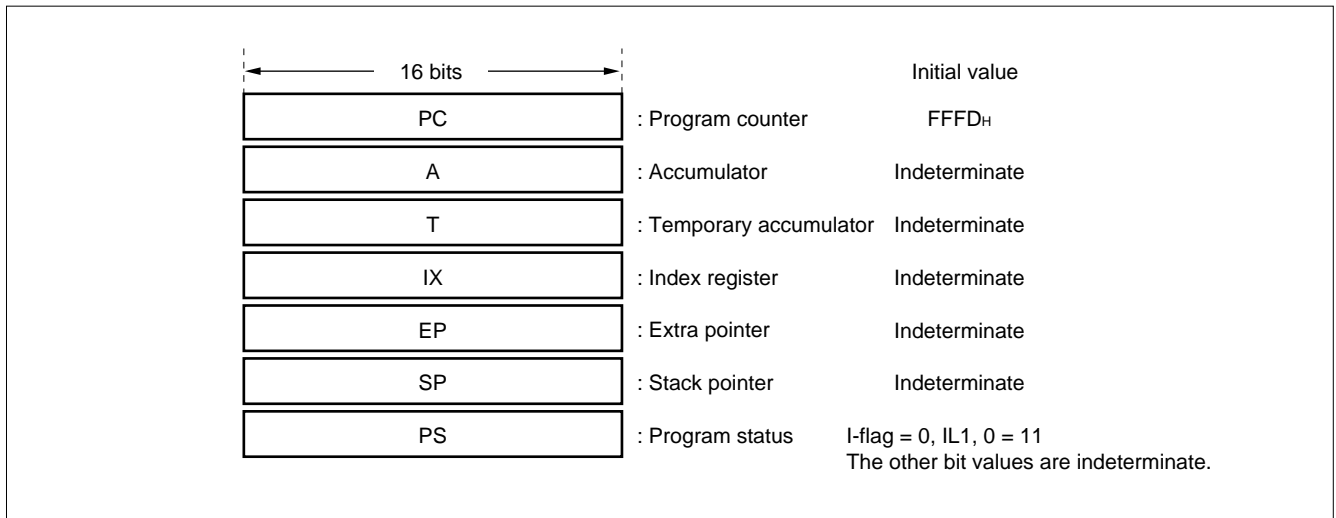
\*: This is an internal PROM on the MB89P915.

# MB89910 Series

## 2. Registers

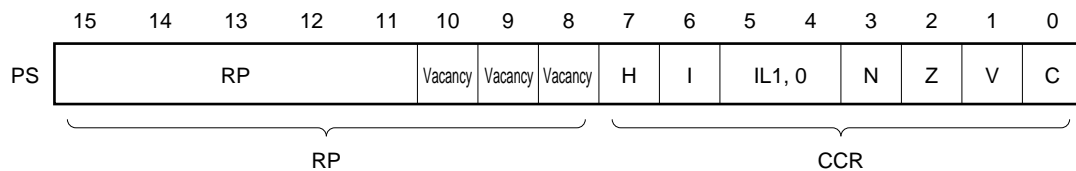
The F<sup>2</sup>MC-8L family has two types of registers; dedicated registers in the CPU and general-purpose registers in the memory. The following registers are provided:

Program counter (PC):	A 16-bit register for indicating instruction storage positions
Accumulator (A):	A 16-bit temporary register for storing arithmetic operations, etc. When the instruction is an 8-bit data processing instruction, the lower byte is used.
Temporary accumulator (T):	A 16-bit register which performs arithmetic operations with the accumulator When the instruction is an 8-bit data processing instruction, the lower byte is used.
Index register (IX):	A 16-bit register for index modification
Extra pointer (EP):	A 16-bit pointer for indicating a memory address
Stack pointer (SP):	A 16-bit register for indicating a stack area
Program status (PS):	A 16-bit register for storing a register pointer, a condition code



The PS can further be divided into higher 8 bits for use as a register bank pointer (RP) and the lower 8 bits for use as a condition code register (CCR). (See the diagram below.)

### • Structure of the Program Status Register





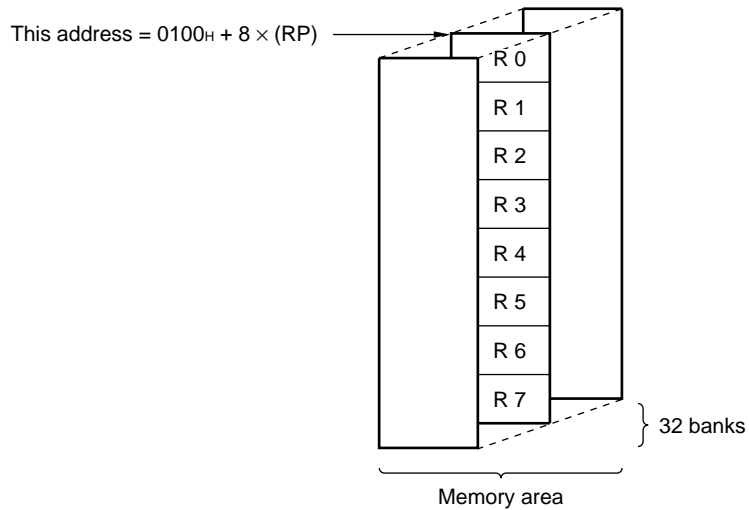
# MB89910 Series

The following general-purpose registers are provided:

General-purpose registers: An 8-bit register for storing data

The general-purpose registers are 8 bits and located in the register banks of the memory. One bank contains eight registers and up to a total of 32 banks can be used on the MB89915. The bank currently in use is indicated by the register bank pointer (RP).

## • Register Bank Configuration



## ■ I/O MAP

Address	Read/write	Register name	Register description
00 <sub>H</sub>	(R/W)	PDR0	Port 0 data register
01 <sub>H</sub>	(W)	DDR0	Port 0 data direction register
02 <sub>H</sub>			Vacancy
03 <sub>H</sub>			Vacancy
04 <sub>H</sub>			Vacancy
05 <sub>H</sub>			Vacancy
06 <sub>H</sub>			Vacancy
07 <sub>H</sub>	(R/W)	SYCC	System clock control register
08 <sub>H</sub>	(R/W)	STBC	Standby control register
09 <sub>H</sub>	(R/W)	WDTC	Watchdog timer control register
0A <sub>H</sub>	(R/W)	TBCR	Time-base timer control register
0B <sub>H</sub>	(R/W)	WPCR	Watch prescaler control register
0C <sub>H</sub>	(R/W)	PDR3	Port 3 data register
0D <sub>H</sub>	(W)	DDR3	Port 3 direction register
0E <sub>H</sub>	(R/W)	BUZR	Buzzer register
0F <sub>H</sub>	(R/W)	EIC	External interrupt control register
10 <sub>H</sub>	(R/W)	PDR1	Port 1 data register
11 <sub>H</sub>	(R/W)	PDR2	Port 2 data register
12 <sub>H</sub>	(R/W)	PDR5	Port 5 data register
13 <sub>H</sub>	(R)	PDR6	Port 6 data register
14 <sub>H</sub>	(R/W)	PDR4	Port 4 data register
15 <sub>H</sub>	(W)	DDR4	Port 4 direction register
16 <sub>H</sub>	(W)	COMR	PWM compare register
17 <sub>H</sub>	(R/W)	CNTR	PWM control register
18 <sub>H</sub>	(R/W)	TMCR	16-bit timer control register
19 <sub>H</sub>	(R/W)	TCHR	16-bit timer control register (H)
1A <sub>H</sub>	(R/W)	TCLR	16-bit timer control register (L)
1B <sub>H</sub>			Vacancy
1C <sub>H</sub>	(R/W)	SMR	Serial mode register
1D <sub>H</sub>	(R/W)	SDR	Serial data register
1E <sub>H</sub>	(R/W)	ADC1	A/D converter control register 1
1F <sub>H</sub>	(R/W)	ADC2	A/D converter control register 2

(Continued)

# MB89910 Series

(Continued)

Address	Read/write	Register name	Register description
20 <sub>H</sub>	(R/W)	ADCD	A/D converter data register
21 <sub>H</sub>			Vacancy
22 <sub>H</sub>	(W)	PCR	Port input control register
23 <sub>H</sub>	(R/W)	LVRC	Low-voltage detection reset control register
24 <sub>H</sub> to 7B <sub>H</sub>			Vacancy
7C <sub>H</sub>	(W)	ILR1	Interrupt level setting register 1
7D <sub>H</sub>	(W)	ILR2	Interrupt level setting register 2
7E <sub>H</sub>	(W)	ILR3	Interrupt level setting register 3
7F <sub>H</sub>			Vacancy

Note: Do not use vacancies.



## ■ ELECTRICAL CHARACTERISTICS

### 1. Absolute Maximum Ratings

(AV<sub>SS</sub> = V<sub>SS</sub> = 0.0 V)

Parameter	Symbol	Value		Unit	Remarks
		Min.	Max.		
Power supply voltage	V <sub>CC</sub> AVR	V <sub>SS</sub> - 0.3	V <sub>SS</sub> + 7.0	V	AVR ≤ V <sub>CC</sub> + 0.3*1
	V <sub>PP</sub>	- 0.6	13.0	V	
	VFDP	V <sub>CC</sub> - 40	V <sub>CC</sub> + 0.3	V	
Input voltage	V <sub>I1</sub>	V <sub>SS</sub> - 0.3	V <sub>CC</sub> + 0.3	V	Except P41*2
	V <sub>I2</sub>	V <sub>SS</sub> - 0.3	7.0	V	P41
Output voltage	V <sub>O1</sub>	V <sub>SS</sub> - 0.3	V <sub>CC</sub> + 0.3	V	Except P10 to P17, P20 to P27, P50, P51*2
	V <sub>O2</sub>	V <sub>CC</sub> - 40.0	V <sub>CC</sub> + 0.3	V	P10 to P17, P20 to P27 P50, P51
"H" level total maximum output current	ΣI <sub>OH</sub>	—	-120	mA	
"H" level total average output current	ΣI <sub>OHAV</sub>	—	-90	mA	Average value (operating current × operating rate)
"H" level maximum output current	I <sub>OH</sub>	—	-12	mA	P00 to P07, P34 to P37, P40
		—	-20	mA	P20 to P27, P50, P51
		—	-36	mA	P10 to P17
"H" level average output current	I <sub>OHAV</sub>	—	-6	mA	P00 to P07, P34 to P37, P40 Average value (operating current × operating rate)
		—	-10	mA	P20 to P27, P50, P51 Average value (operating current × operating rate)
		—	-20	mA	P10 to P17 Average value (operating current × operating rate)
"L" level total maximum output current	ΣI <sub>OL</sub>	—	36	mA	
"L" level total average output current	ΣI <sub>OLAV</sub>	—	20	mA	Average value (operating current × operating rate)
"L" level maximum output current	I <sub>OL</sub>	—	10	mA	P00 to P07, P30 to P37, P40 to P47
"L" level average output current	I <sub>OLAV</sub>	—	4	mA	

(Continued)

# MB89910 Series

(Continued)

(AV<sub>SS</sub> = V<sub>SS</sub> = 0.0 V)

Parameter	Symbol	Value		Unit	Remarks
		Min.	Max.		
Power consumption	P <sub>D</sub>	—	440	mW	SH-DIP: DIP-48-M01
		—	360	mW	QFP: FPT-48-M15
Operating temperature	T <sub>A</sub>	−40	+85	°C	
Storage temperature	T <sub>stg</sub>	−55	+150	°C	

\*1: Take care so that AVR does not exceed V<sub>CC</sub> + 0.3 V and V<sub>CC</sub> does not exceed V<sub>CC</sub>, such as when power is turned on.

\*2: V<sub>I</sub> and V<sub>O</sub> must not exceed V<sub>CC</sub> + 0.3 V.

**WARNING:** Semiconductor devices can be permanently damaged by application of stress (voltage, current, temperature, etc.) in excess of absolute maximum ratings. Do not exceed these ratings.

## 2. Recommended Operating Conditions

(AV<sub>SS</sub> = V<sub>SS</sub> = 0.0 V)

Parameter	Symbol	Value		Unit	Remarks
		Min.	Max.		
Power supply voltage	V <sub>CC</sub>	4.5*	5.5*	V	Normal operation assurance range* (MB89PV910)
		3.8*	5.5*	V	Normal operation assurance range* (MB89P915/915/913)
		2.7	5.5	V	Watch mode, sub-RUN mode
		1.5	5.5	V	Retains the RAM state in stop mode
A/D converter reference input voltage	AVR	0.0	V <sub>CC</sub>	V	
High-voltage pull-down resistor supply voltage	VFDP	V <sub>CC</sub> − 35.0	V <sub>CC</sub> + 0.3	V	
Operating temperature	T <sub>A</sub>	−40	+85	°C	

\* : These values vary with the operating frequency, instruction cycle, and analog assurance range. See Figure 1 and “5. A/D Converter Electrical Characteristics.”

Figure 1 Operating Voltage vs. Main Clock Operating Frequency

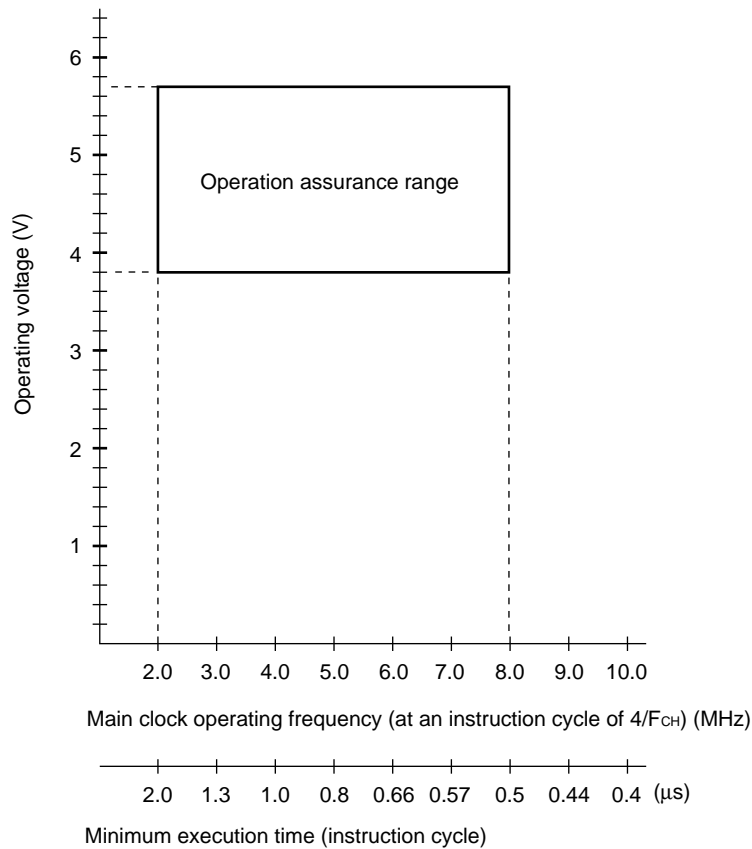


Figure 1 indicates the operating frequency of the external oscillator at an instruction cycle of  $4/F_{CH}$ .

Since the operating voltage range is dependent on the instruction cycle, see minimum execution time if the operating speed is switched using a gear.

**WARNING:** Recommended operating conditions are normal operating ranges for the semiconductor device. All the device's electrical characteristics are warranted when operated within these ranges.

Always use semiconductor devices within the recommended operating conditions. Operation outside these ranges may adversely affect reliability and could result in device failure.

No warranty is made with respect to uses, operating conditions, or combinations not represented on the data sheet. Users considering application outside the listed conditions are advised to contact their FUJITSU representative beforehand.

# MB89910 Series

## 3. DC Characteristics

(AVR = V<sub>CC</sub> = +5.0 V, AV<sub>SS</sub> = V<sub>SS</sub> = 0.0 V, T<sub>A</sub> = -40°C to +85°C)

Parameter	Symbol	Pin name	Condition	Value			Unit	Remarks
				Min.	Typ.	Max.		
"H" level input voltage	V <sub>IHS</sub>	P00 to P07, P30 to P37, P40 to P42, P60, P61 X0, $\overline{\text{RST}}$ X1, TEST	—	0.8 V <sub>CC</sub>	—	V <sub>CC</sub> + 0.3	V	
"L" level input voltage	V <sub>ILS</sub>	P00 to P07, P30 to P37, P40 to P42, P60, P61 X0, $\overline{\text{RST}}$ X1, TEST	—	V <sub>SS</sub> - 0.3	—	0.2 V <sub>CC</sub>	V	
Open-drain output pin application voltage	V <sub>D1</sub>	P30 to P33, P42	—	V <sub>SS</sub> - 0.3	—	V <sub>CC</sub> + 0.3	V	
	V <sub>D2</sub>	P41	—	V <sub>SS</sub> - 0.3	—	7.0	V	
"H" level output voltage	V <sub>OH1</sub>	P00 to P07, P30 to P37, P40 to P42, P60, P61	I <sub>OH</sub> = -2.0 mA	2.4	—	—	V	Excluding P30 to P33 and P41, P42
	V <sub>OH2</sub>	P20 to P27, P50, P51	I <sub>OH</sub> = -10 mA	3.0	—	—	V	
	V <sub>OH3</sub>	P10 to P17	I <sub>OH</sub> = -20 mA	3.0	—	—	V	
"L" level output voltage	V <sub>OL1</sub>	P00 to P07, P30 to P37, P40 to P42, P60, P61	I <sub>OL</sub> = 1.8 mA	—	—	0.4	V	
	V <sub>OL2</sub>	$\overline{\text{RST}}$ ,	I <sub>OL</sub> = 4.0 mA	—	—	0.6	V	
Input leakage current	I <sub>LI1</sub>	P00 to P07, P30 to P37, P40 to P42, P60, P61	0 < V <sub>I</sub> < V <sub>CC</sub>	—	—	±5	μA	
Output leakage current	I <sub>LO1</sub>	P20 to P27, P50, P51	V <sub>I</sub> = VFDP	—	—	-10	μA	VFDP = V <sub>CC</sub> - 35.0V
	I <sub>LO2</sub>	P10 to P17	V <sub>I</sub> = VFDP	—	—	-20	μA	VFDP = V <sub>CC</sub> - 35.0V
Pull-up resistance	R <sub>PULL</sub>	$\overline{\text{RST}}$ ,	V <sub>IN</sub> = 0.0 V	25	50	100	kΩ	
Pull-down resistance	R <sub>PD</sub>	P10 to P17, P20 to P27, P50, P51	V <sub>IN</sub> = 5.0 V	50	100	150	kΩ	Assuming the pull-down resistor option selected

(Continued)

## MB89910 Series

(Continued)

(AVR = V<sub>CC</sub> = +5.0 V, AV<sub>SS</sub> = V<sub>SS</sub> = 0.0 V, T<sub>A</sub> = -40°C to +85°C)

Parameter	Symbol	Pin name	Condition	Value			Unit	Remarks	
				Min.	Typ.	Max.			
Power supply current <sup>1</sup> (When low-voltage detection reset operation is enabled, I <sub>LVD</sub> is added to each power supply current.)	I <sub>CC1</sub>	V <sub>CC</sub>	F <sub>CH</sub> = 8 MHz V <sub>CC</sub> = 5.0 V t <sub>inst</sub> <sup>2</sup> = 0.5 μs when A/D conversion is stopped	—	10.0	18.0	mA	MB89P915	
			—	9	15	mA	MB89913/ 915/PV910		
	I <sub>CC2</sub>		F <sub>CH</sub> = 8 MHz V <sub>CC</sub> = 3.8 V t <sub>inst</sub> <sup>2</sup> = 8.0 μs when A/D conversion is stopped	—	3.0	6.0	mA	MB89P915	
			—	1.8	2.4	mA	MB89913/ 915/PV910		
	I <sub>CS1</sub>		Sleep mode	F <sub>CH</sub> = 8 MHz V <sub>CC</sub> = 5.0 V t <sub>inst</sub> <sup>2</sup> = 0.5 μs when A/D conversion is stopped	—	3	7	mA	
				F <sub>CH</sub> = 8 MHz V <sub>CC</sub> = 3.8 V t <sub>inst</sub> <sup>2</sup> = 8.0 μs when A/D conversion is stopped	—	1.2	1.8	mA	
	I <sub>CSB</sub>		Subclock mode	F <sub>CL</sub> = 32 kHz V <sub>CC</sub> = 3.0 V	—	1.2	3.6	mA	MB89P915
				Subclock sleep mode	—	60	180	μA	MB89913/ 915/PV910
	I <sub>CS3</sub>		Subclock sleep mode	F <sub>CL</sub> = 32 kHz V <sub>CC</sub> = 3.0 V	—	32	64	μA	
	I <sub>CCT</sub>		• Watch mode • Main clock stop mode at dual-clock system	F <sub>CL</sub> = 32 kHz V <sub>CC</sub> = 3.0 V	—	4	20	μA	
I <sub>CCA</sub>	F <sub>CH</sub> = 8 MHz T <sub>A</sub> = +25°C V <sub>CC</sub> = 5.0 V t <sub>inst</sub> <sup>2</sup> = 0.5 μs when A/D conversion is activated	—	12.5	22.5	mA				

(Continued)

# MB89910 Series

(Continued)

(AVR = V<sub>CC</sub> = +5.0 V, AV<sub>SS</sub> = V<sub>SS</sub> = 0.0 V, T<sub>A</sub> = -40°C to +85°C)

Parameter	Symbol	Pin name	Condition	Value			Unit	Remarks
				Min.	Typ.	Max.		
Power supply current*1  (When low-voltage detection reset operation is enabled, I <sub>LVD</sub> is added to each power supply current.)	I <sub>CCH</sub>	V <sub>CC</sub>	F <sub>CL</sub> = 32.678 kHz, V <sub>CC</sub> = 3.0 V T <sub>A</sub> = +25°C, • Subclock stop mode • Main clock stop mode at single clock system	—	—	10	μA	
	I <sub>LVD</sub>		V <sub>CC</sub> = 5.0 V T <sub>A</sub> = +25°C, • Subclock stop mode • Main clock stop mode at single clock system	—	60	120	μA	Power consumption of low-voltage detection reset
	I <sub>R</sub>	AVR	F <sub>CH</sub> = 8 MHz, T <sub>A</sub> = +25°C, when A/D conversion is activated	—	200	—	μA	
	I <sub>RH</sub>	AVR	F <sub>CH</sub> = 8 MHz, T <sub>A</sub> = +25°C, when A/D conversion is stopped	—	—	10	μA	
Input capacitance	C <sub>IN</sub>	Other than AV <sub>SS</sub> , AVR, V <sub>CC</sub> , and V <sub>SS</sub>	f = 1 MHz	—	10	—	pF	

\*1: The power supply current is measured at external clock.

\*2: For information on t<sub>inst</sub>, see "(4) Instruction Cycle" in "4. AC Characteristics."

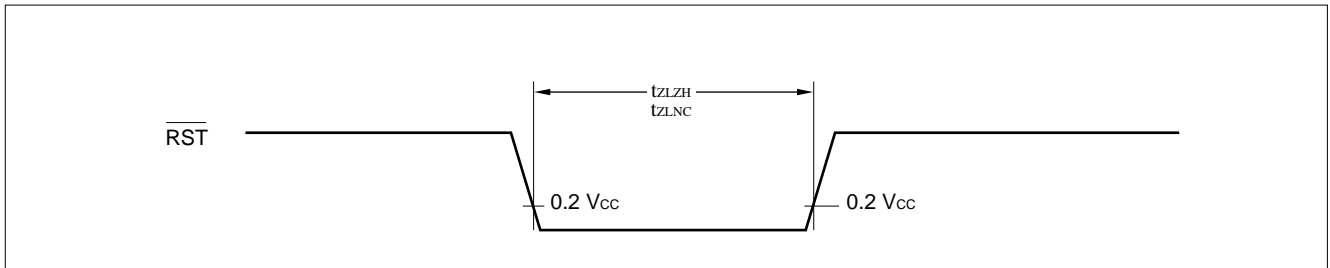
## 4. AC Characteristics

### (1) Reset Timing

(AVR = V<sub>CC</sub> = +5.0 V±10%, AV<sub>SS</sub> = V<sub>SS</sub> = 0.0 V, T<sub>A</sub> = -40°C to +85°C)

Parameter	Symbol	Condition	Value			Unit	Remarks
			Min.	Typ.	Max.		
$\overline{\text{RST}}$ "L" pulse width	t <sub>ZLZH</sub>	—	48 t <sub>XCYL</sub>	—	—	ns	
$\overline{\text{RST}}$ noise limit width	t <sub>ZLNC</sub>	—	30	50	80	ns	

Note: t<sub>XCYL</sub> is the oscillation period (1/F<sub>CH</sub>) to input to the X0.



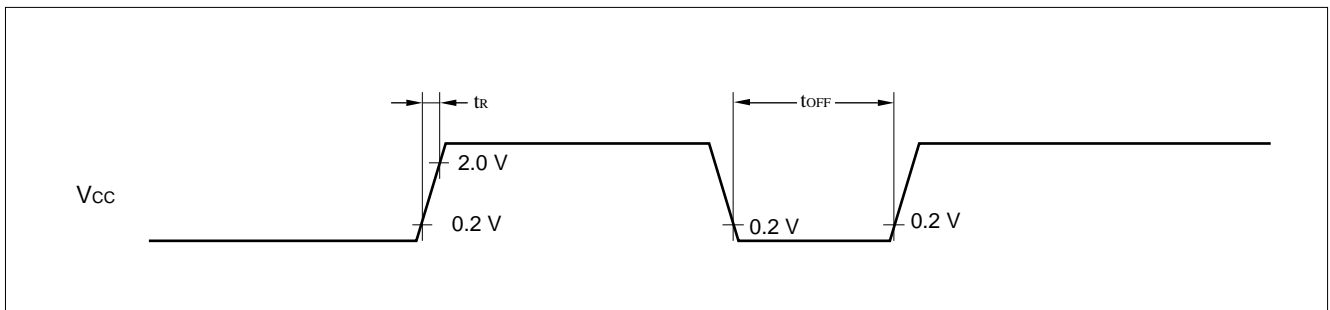
### (2) Power-on Reset

(AV<sub>SS</sub> = V<sub>SS</sub> = 0.0 V, T<sub>A</sub> = -40°C to +85°C)

Parameter	Symbol	Condition	Value		Unit	Remarks
			Min.	Max.		
Power supply rising time	t <sub>R</sub>	—	—	50	ms	Power-on reset function only
Power supply cut-off time	t <sub>OFF</sub>	—	1	—	ms	Due to repeated operations

Note: Make sure that power supply rises within the selected oscillation stabilization time.

If power supply voltage needs to be varied in the course of operation, a smooth voltage rise is recommended.



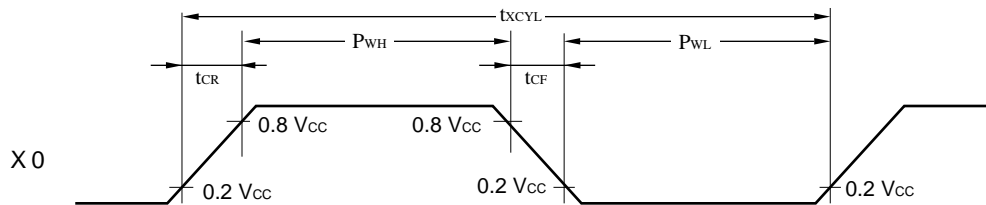
# MB89910 Series

## (3) Clock Timing

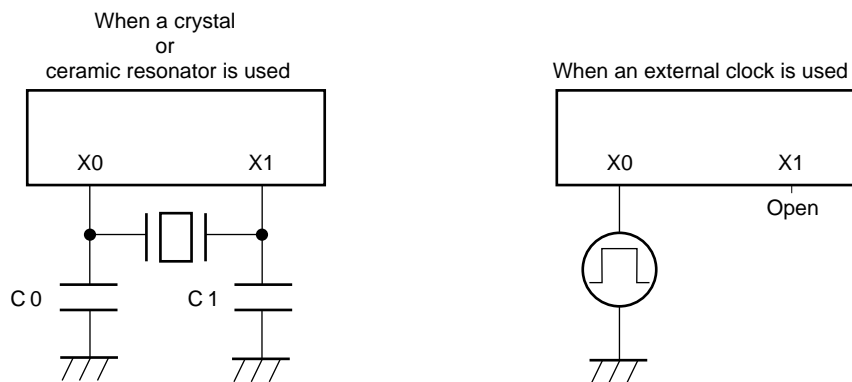
( $V_{SS} = V_{SS} = 0.0\text{ V}$ ,  $T_A = -40^\circ\text{C}$  to  $+85^\circ\text{C}$ )

Parameter	Symbol	Pin name	Condition	Value			Unit	Remarks
				Min.	Typ.	Max.		
Clock frequency	$F_{CH}$	X0, X1	—	2	—	8	MHz	
	$F_{CL}$	X0A, X1A	—	—	32.768	—	kHz	
Clock cycle time	$t_{XCYL}$	X0, X1	—	125	—	500	ns	
	$t_{LXCYL}$	X0A, X1A	—	—	30.5	—	$\mu\text{s}$	
Input clock pulse width	$P_{WH}$ $P_{WL}$	X0	—	30	—	—	ns	External clock
	$P_{WHL}$ $P_{WLL}$	X0A	—	—	15.2	—	$\mu\text{s}$	
Input clock rising/falling time	$t_{CR}$ $t_{CF}$	X0, X0A	—	—	—	10	ns	External clock

### • X0 and X1 Timing and Conditions

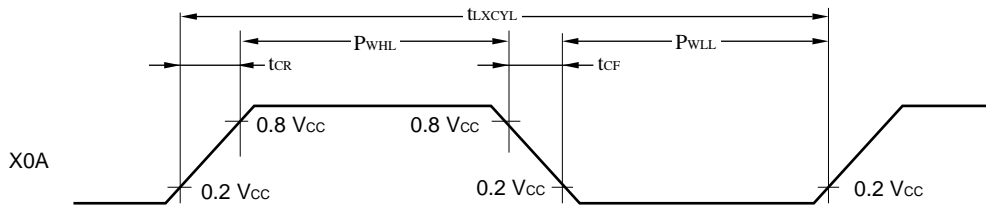


### • Main Clock Conditions

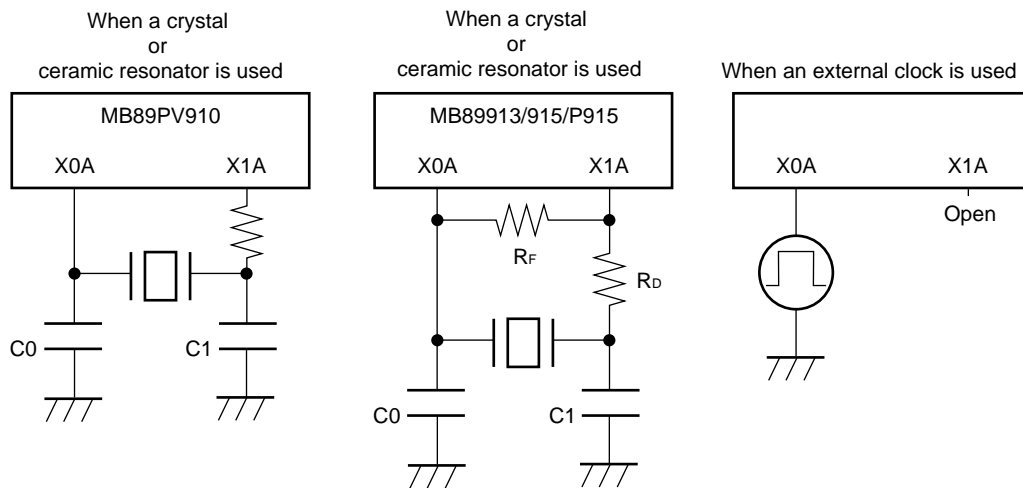




• X0A and X1A Timing and Conditions



• Subclock Conditions



(4) Instruction Cycle

Parameter	Symbol	Value (typical)	Unit	Remarks
Instruction cycle (minimum execution time)	t <sub>inst</sub>	4/F <sub>CH</sub> , 8/F <sub>CH</sub> , 16/F <sub>CH</sub> , 32/F <sub>CH</sub>	μs	Operation at F <sub>CH</sub> = 8 MHz; (4/F <sub>CH</sub> )t <sub>inst</sub> = 0.5 μs
		2/F <sub>CL</sub>	μs	Operation at F <sub>CL</sub> = 32.768 kHz; (4/F <sub>CH</sub> )t <sub>inst</sub> = 61.036 μs

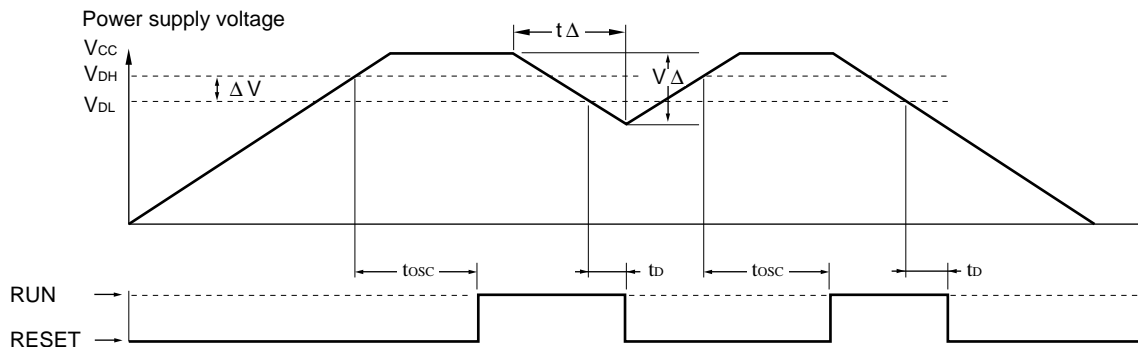
Note: When operating at 8 MHz, the cycle varies with the execution time.

# MB89910 Series

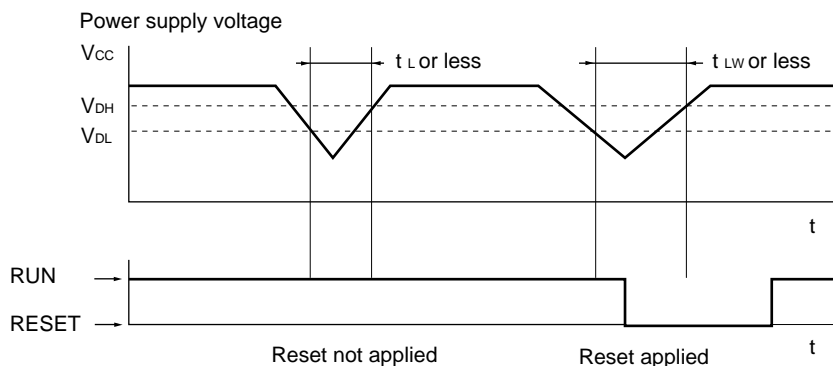
## (5) Low-voltage Detection Reset

( $AV_{SS} = V_{SS} 0.0 V$ ,  $T_A = -40^{\circ}C$  to  $+85^{\circ}C$ )

Parameter	Symbol	Condition	Value		Unit	Remarks
			Min.	Max.		
Detection voltage at power supply voltage fall	$V_{DL1}$	—	3.00	3.60	V	$V_{DH}$ and $V_{DL}$ are set for the MB89913/915 by mask options and for the MB89P915 by a register.
	$V_{DL2}$	—	3.30	3.90	V	
	$V_{DL3}$	—	3.70	4.40	V	
Detection voltage at power supply voltage rise	$V_{DH1}$	—	3.10	3.80	V	
	$V_{DH2}$	—	3.40	4.10	V	
	$V_{DH3}$	—	3.80	4.60	V	
Hysteresis width	$\Delta V$	—	0.10	—	V	
Reset insensitive time	$t_L$	—	0.3	—	$\mu s$	
Reset sensitive width	$t_{LW}$	—	$16 t_{xcyl}$	—	ns	
Reset detection delay time	$t_D$	—	—	2.0	$\mu s$	
Voltage regulation ( $V_{\Delta}/t_{\Delta}$ )	VCR	—	—	0.10	V/ $\mu s$	



$t_{osc}$  oscillation stabilization time  $2^{18} = 32.8 ms$  ( $F_{CH} = 8 MHz$ )



## (6) Serial I/O Timing

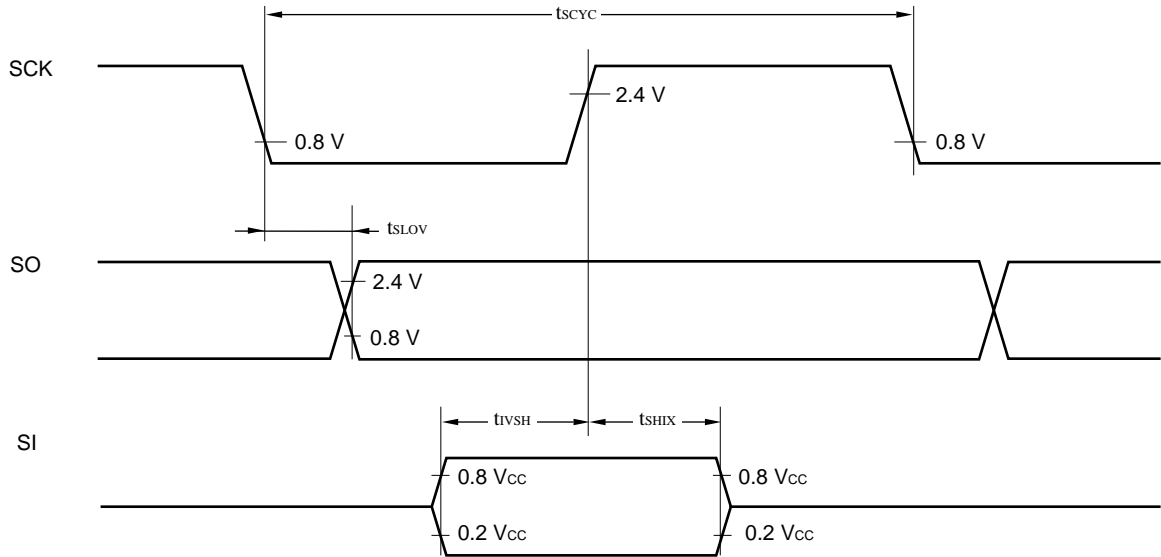
(AVR = V<sub>CC</sub> = +5.0 V $\pm$ 10%, AV<sub>SS</sub> = V<sub>SS</sub> = 0.0 V, T<sub>A</sub> = -40°C to +85°C)

Parameter	Symbol	Pin name	Condition	Value		Unit	Remarks
				Min.	Max.		
Serial clock cycle time	t <sub>SCYC</sub>	SCK	Internal shift clock mode	2 t <sub>inst</sub> *	—	μs	
SCK ↓ → SO time	t <sub>SLOV</sub>	SCK, SO		-200	200	ns	
Valid SI → SCK ↑	t <sub>IVSH</sub>	SI, SCK		1/2 t <sub>inst</sub> *	—	μs	
SCK ↑ → valid SI hold time	t <sub>SHIX</sub>	SCK, SI		1/2 t <sub>inst</sub> *	—	μs	
Serial clock "H" pulse width	t <sub>SHSL</sub>	SCK	External shift clock mode	1 t <sub>inst</sub> *	—	μs	
Serial clock "L" pulse width	t <sub>SLSH</sub>	SCK		1 t <sub>inst</sub> *	—	μs	
SCK ↓ → SO time	t <sub>SLOV</sub>	SCK, SO		0	200	ns	
Valid SI → SCK ↑	t <sub>IVSH</sub>	SI, SCK		1/2 t <sub>inst</sub> *	—	μs	
SCK ↑ → valid SI hold time	t <sub>SHIX</sub>	SCK, SI		1/2 t <sub>inst</sub> *	—	μs	

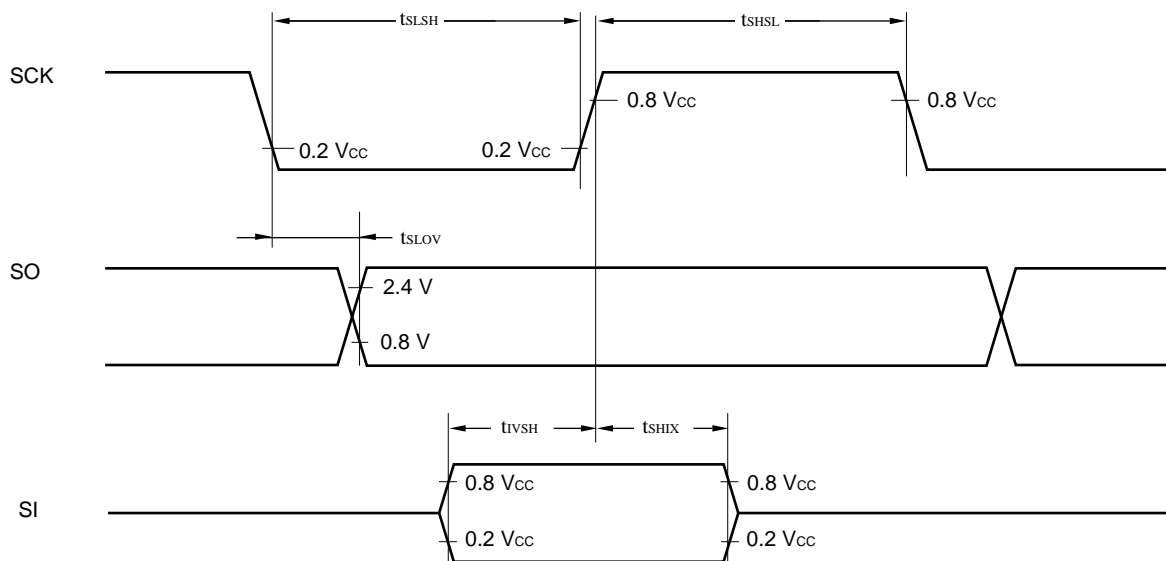
\* : For information on t<sub>inst</sub>, see "(4) Instruction Cycle."

# MB89910 Series

## • Internal Shift Clock Mode



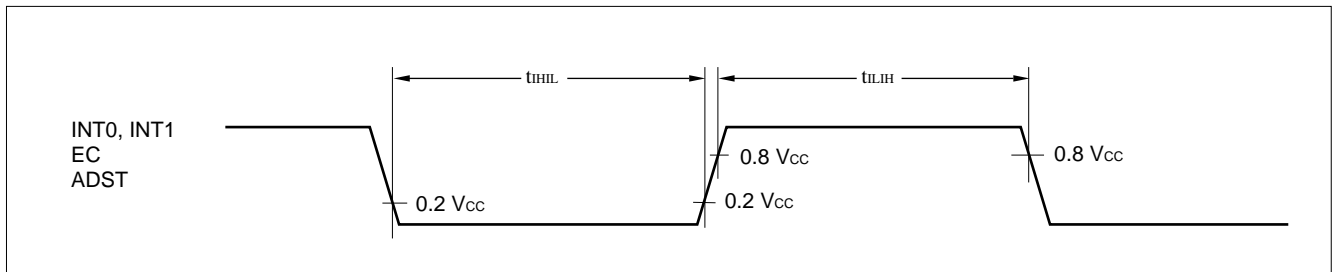
## • External Shift Clock Mode



## (7) Peripheral Input Timing

(AVR = V<sub>CC</sub> = +5.0 V±10%, AV<sub>SS</sub> = V<sub>SS</sub> = 0.0 V, T<sub>A</sub> = -40°C to +85°C)

Parameter	Symbol	Pin name	Condition	Value		Unit	Remarks
				Min.	Max.		
Peripheral input "H" level pulse width	t <sub>LIH</sub>	EC, ADST INT0, INT1	—	2 t <sub>inst</sub> *	—	μs	
Peripheral input "L" level pulse width	t <sub>LIHL</sub>	EC, ADST INT0, INT1	—	2 t <sub>inst</sub> *	—	μs	

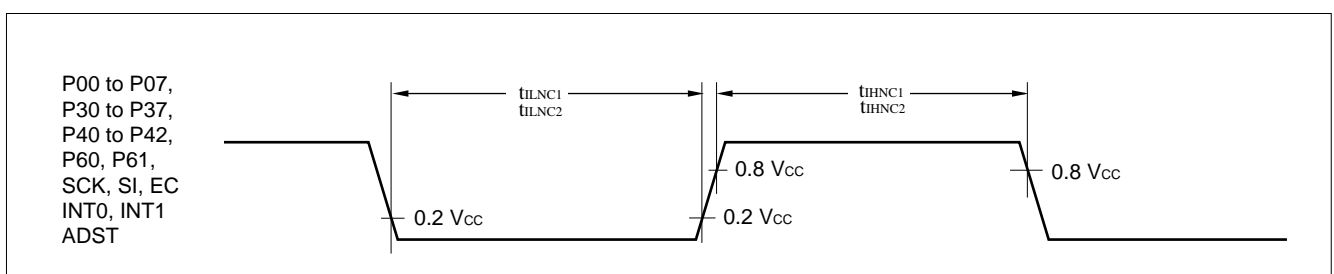
\* : For information on t<sub>inst</sub>, see "(4) Instruction Cycle."

## (8) Peripheral input noise limit width

(AVR = V<sub>CC</sub> = +5.0 V±10%, AV<sub>SS</sub> = V<sub>SS</sub> = 0.0 V, T<sub>A</sub> = -40°C to +85°C)

Parameter	Symbol	Pin name	Value			Unit	Remarks
			Min.	Typ.	Max.		
Peripheral input "H" level noise limit width 1	t <sub>IHNC1</sub>	All inputs excluding INT1 and INTO	7	15	30	ns	MB89PV910 MB89P915
			15	30	60	ns	MB89913/ 915
Peripheral input "L" level noise limit width 1	t <sub>ILNC1</sub>	All inputs excluding INT1 and INTO	7	15	30	ns	MB89PV910 MB89P915
			15	30	60	ns	MB89913/ 915
Peripheral input "H" level noise limit width 2	t <sub>IHNC2</sub>	INT1, INTO	30	50	100	ns	MB89PV910 MB89P915
			50	100	250	ns	MB89913/ 915
Peripheral input "L" level noise limit width 2	t <sub>ILNC2</sub>	INT1, INTO	30	50	100	ns	MB89PV910 MB89P915
			50	100	250	ns	MB89913/ 915

Note: The minimum rating is always cancelled, while values equal to or greater than maximum ratings are not cancelled.



# MB89910 Series

## 5. A/D Converter Electrical Characteristics

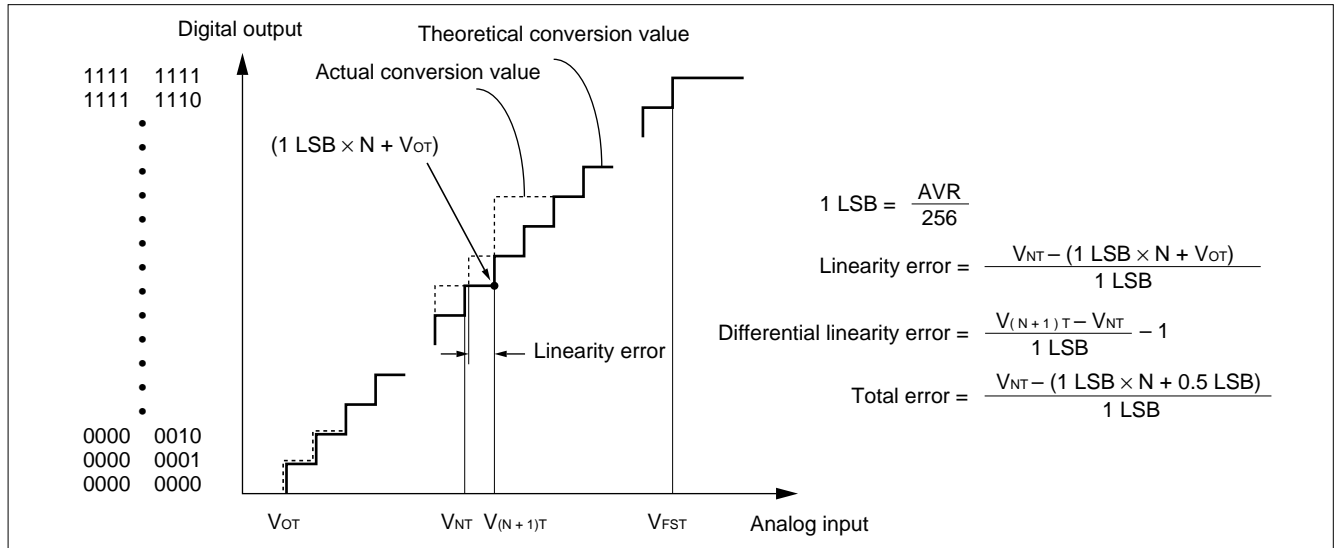
( $V_{CC} = +3.8\text{ V to }+5.5\text{ V}$ ,  $F = 8\text{ MHz}$ ,  $AV_{SS} = V_{SS} = 0.0\text{ V}$ ,  $T_A = -40^\circ\text{C to }+85^\circ\text{C}$ )

Parameter	Symbol	Pin name	Condition	Value			Unit	Remarks
				Min.	Typ.	Max.		
Resolution	—	—	—	—	—	8	bit	
Total error				—	—	$\pm 3.0$	LSB	
Linearity error				—	—	$\pm 1.0$	LSB	
Differential linearity error				—	—	$\pm 0.9$	LSB	
Zero transition voltage	$V_{OT}$	AN0 to AN7	—	$AV_{SS} - 1.5\text{ LSB}$	$AV_{SS} + 0.5\text{ LSB}$	$AV_{SS} + 2.5\text{ LSB}$	mV	
Full-scale transition voltage	$V_{FST}$	AN0 to AN7		$AVR - 3.5\text{ LSB}$	$AVR - 1.5\text{ LSB}$	$AVR + 0.5\text{ LSB}$	mV	
Interchannel disparity	—	—	—	—	—	1.0	LSB	
A/D mode conversion time				—	$44\ t_{inst}^*$	—	$\mu\text{s}$	
Sense mode conversion time				—	$12\ t_{inst}^*$	—	$\mu\text{s}$	
Analog port input current	$I_{AIN}$	AN0 to AN7	$AVR = V_{CC} = 5.0\text{ V}$	—	—	10	$\mu\text{A}$	
Analog input voltage	—	AN0 to AN7	—	0.0	—	AVR	V	
Reference voltage		AVR		3.4	—	$AV_{CC}$	V	
Reference voltage supply current	$I_R$	AVR	$AVR = 5.0\text{ V}$	—	200	—	$\mu\text{A}$	

\* : For information on  $t_{inst}$ , see “(4) Instruction Cycle” in “4. AC Characteristics.”

## 6. A/D Converter Glossary

- Resolution  
Analog changes that are identifiable with the A/D converter  
When the number of bits is 8, analog voltage can be divided into  $2^8 = 256$ .
- Linearity error (unit: LSB)  
The deviation of the straight line drawn connecting the zero transition point (“0000 0000”  $\leftrightarrow$  “0000 0001”) with the full-scale transition point (“1111 1111”  $\leftrightarrow$  “1111 1110”) from actual conversion characteristics
- Differential linearity error (unit: LSB)  
The deviation of input voltage needed to change the output code by 1 LSB from the theoretical value
- Total error (unit: LSB)  
The difference between theoretical and actual conversion values



## 7. Notes on Using A/D Converter

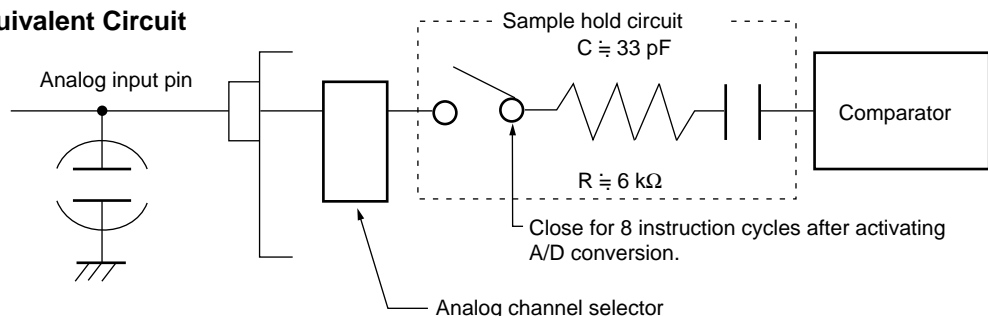
### • Input impedance of the analog input pins

The A/D converter used for the MB89910 series contains a sample hold circuit as illustrated below to fetch analog input voltage into the sample hold capacitor for eight instruction cycles after activating A/D conversion. For this reason, if the output impedance of the external circuit for the analog input is high, analog input voltage might not stabilize within the analog input sampling period. Therefore, it is recommended to keep the output impedance of the external circuit low. If a higher accuracy is required, set the output impedance in this series to 2 k $\Omega$  or less.

Note that if the impedance cannot be kept low output impedance, it is recommended either to use the software to continuously activate the A/D converter for simulating longer sampling time or to connect an external capacitor of approx. 0.1  $\mu\text{F}$  to the analog input pin.

### • Analog Input Equivalent Circuit

If the output impedance of external circuit is high, it is recommended to connect an external capacitor of approx. 0.1  $\mu\text{F}$ .



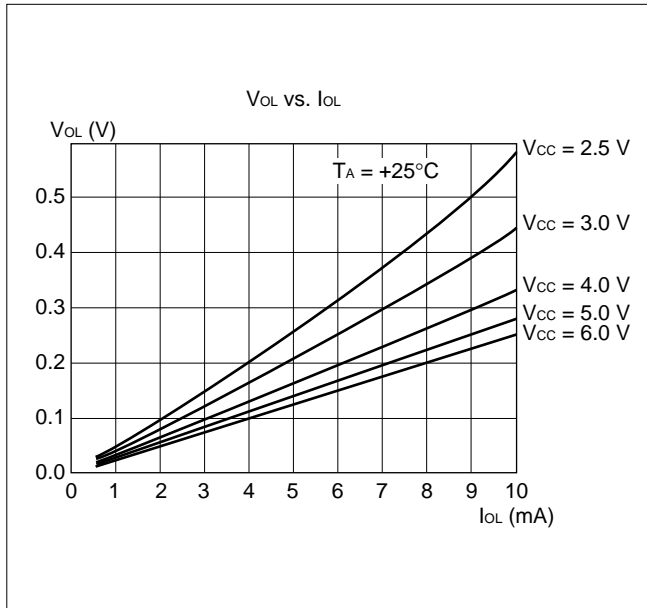
### • Error

The smaller the  $|AVR - AV_{SS}|$ , the greater the error would become relatively.

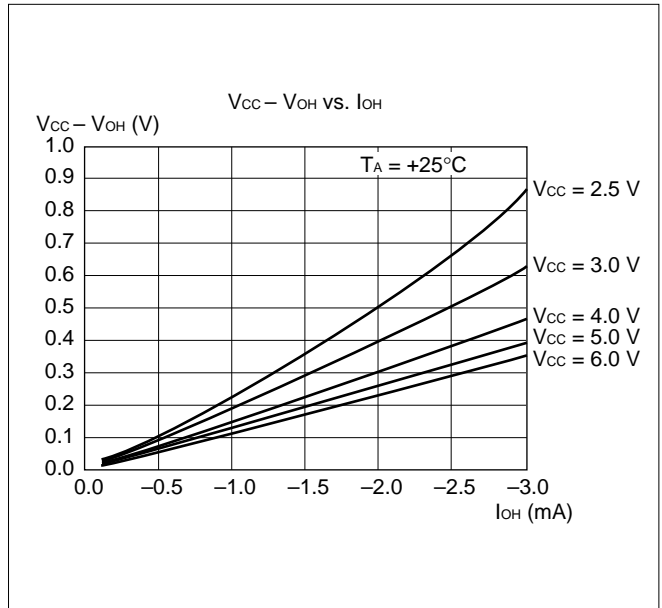
# MB89910 Series

## EXAMPLE CHARACTERISTICS

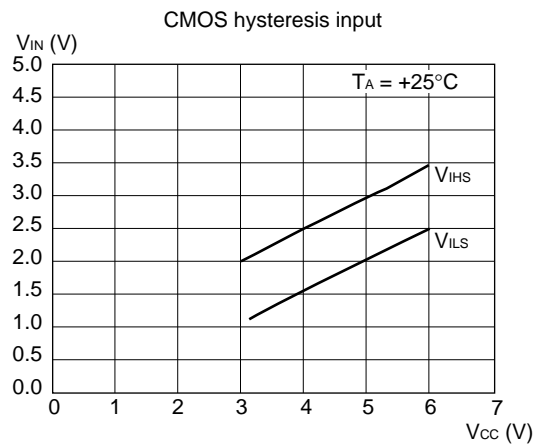
### (1) "L" Level Output Voltage



### (2) "H" Level Output Voltage



### (3) "H" Level Input Voltage/"L" Level Input Voltage (Hysteresis Input)



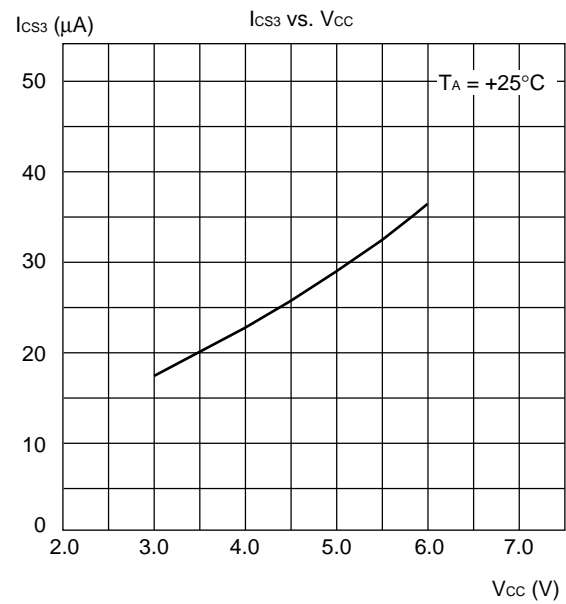
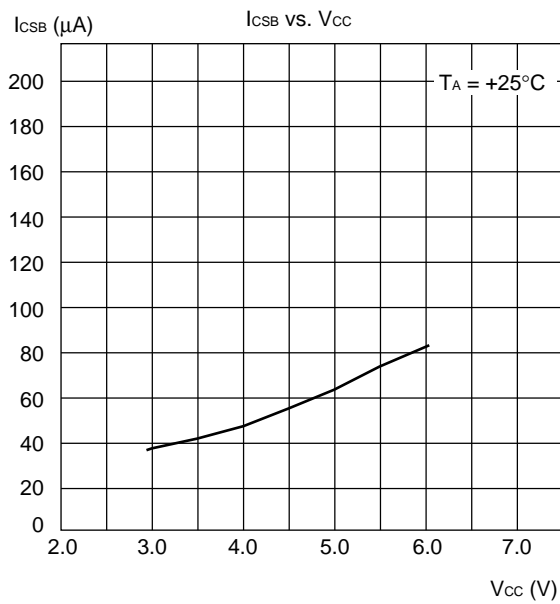
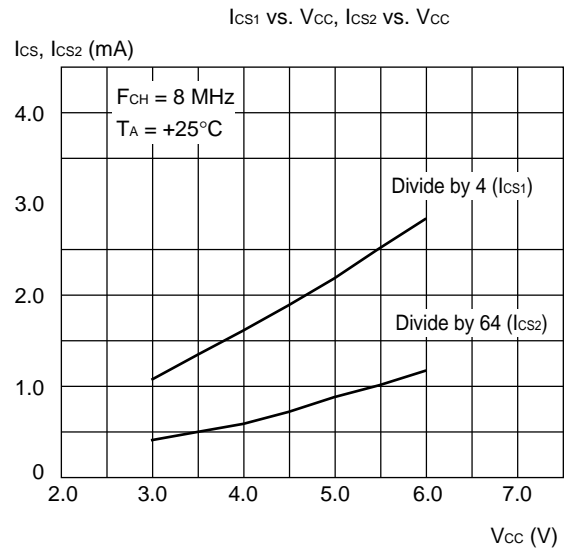
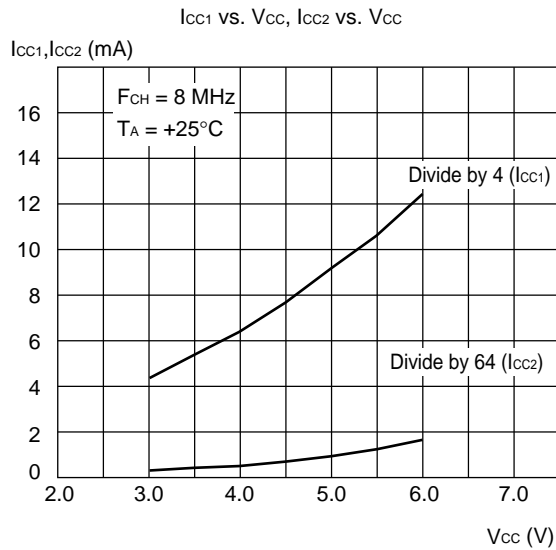
$V_{IHs}$ : Threshold when input voltage in hysteresis characteristics is set to "H" level

$V_{ILS}$ : Threshold when input voltage in hysteresis characteristics is set to "L" level



# MB89910 Series

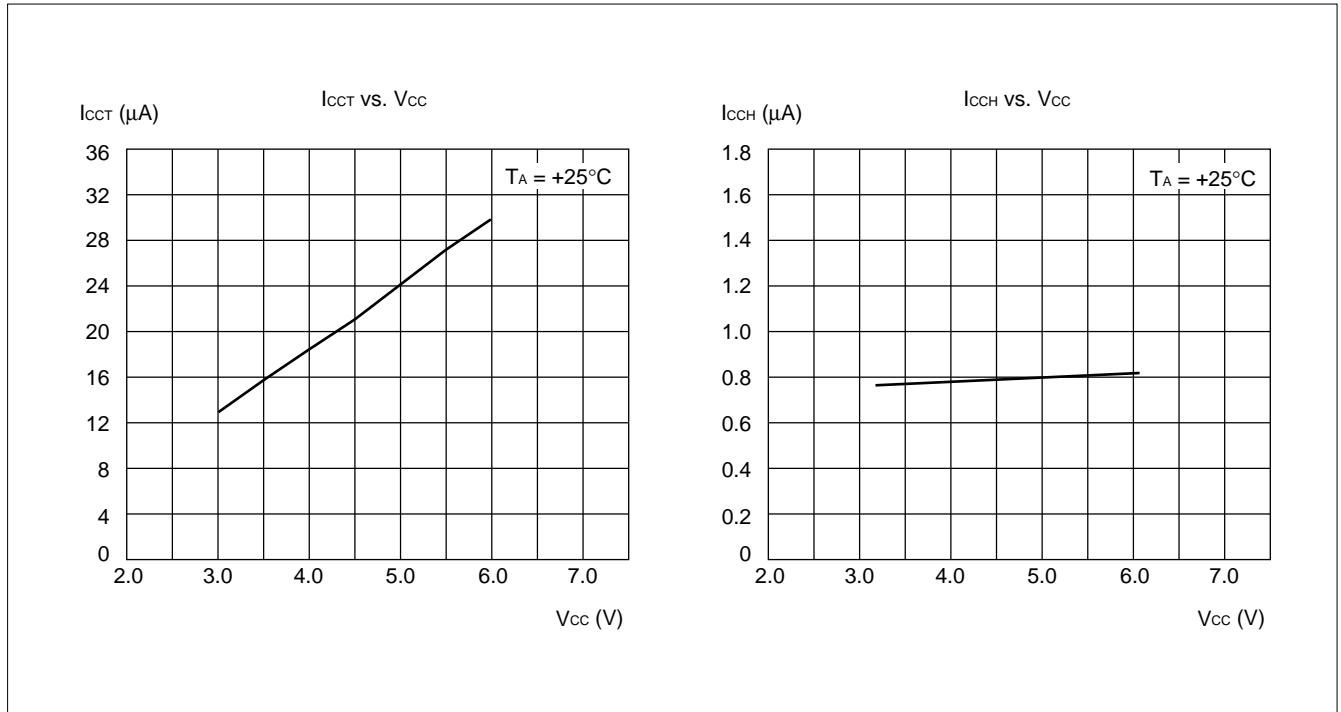
## (4) Power Supply Current (External Clock)



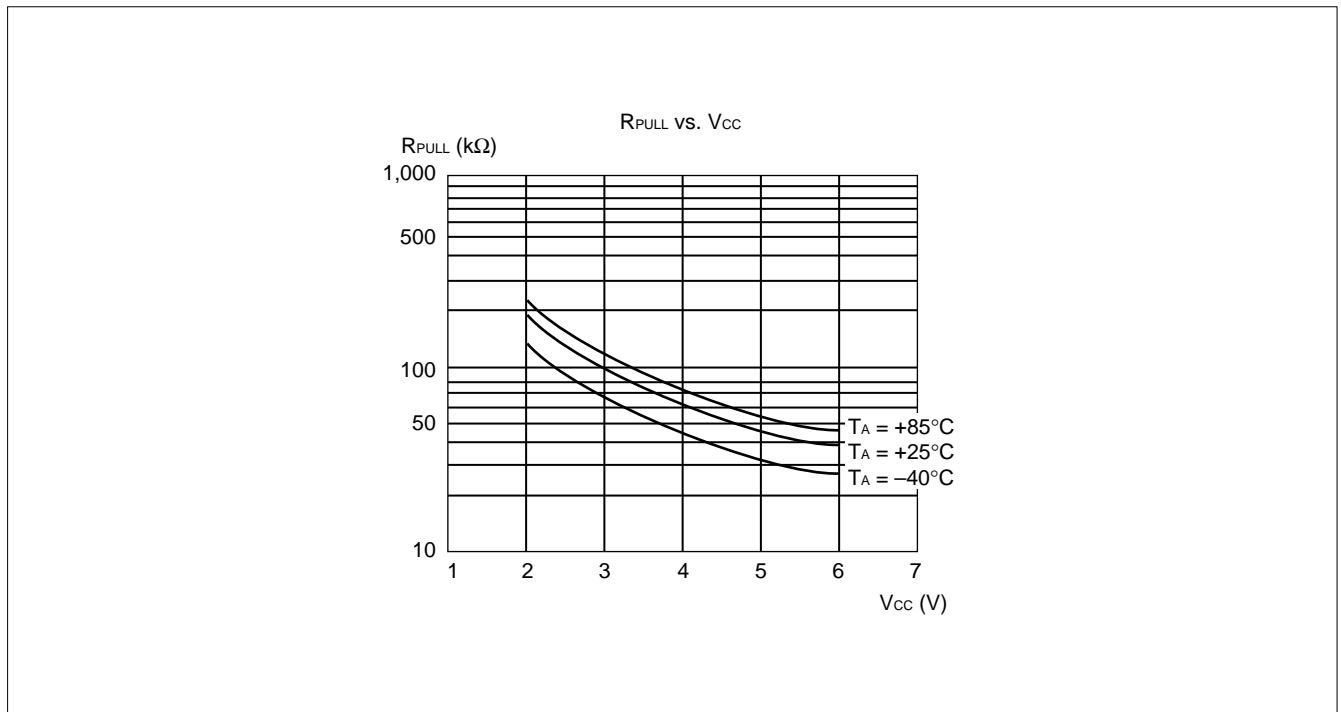
(Continued)

# MB89910 Series

(Continued)



## (5) Pull-up Resistance



**■ INSTRUCTIONS**

Execution instructions can be divided into the following four groups:

- Transfer
- Arithmetic operation
- Branch
- Others

Table 1 lists symbols used for notation of instructions.

**Table 1 Instruction Symbols**

<b>Symbol</b>	<b>Meaning</b>
dir	Direct address (8 bits)
off	Offset (8 bits)
ext	Extended address (16 bits)
#vct	Vector table number (3 bits)
#d8	Immediate data (8 bits)
#d16	Immediate data (16 bits)
dir: b	Bit direct address (8:3 bits)
rel	Branch relative address (8 bits)
@	Register indirect (Example: @A, @IX, @EP)
A	Accumulator A (Whether its length is 8 or 16 bits is determined by the instruction in use.)
AH	Upper 8 bits of accumulator A (8 bits)
AL	Lower 8 bits of accumulator A (8 bits)
T	Temporary accumulator T (Whether its length is 8 or 16 bits is determined by the instruction in use.)
TH	Upper 8 bits of temporary accumulator T (8 bits)
TL	Lower 8 bits of temporary accumulator T (8 bits)
IX	Index register IX (16 bits)

*(Continued)*

# MB89910 Series

(Continued)

Symbol	Meaning
EP	Extra pointer EP (16 bits)
PC	Program counter PC (16 bits)
SP	Stack pointer SP (16 bits)
PS	Program status PS (16 bits)
dr	Accumulator A or index register IX (16 bits)
CCR	Condition code register CCR (8 bits)
RP	Register bank pointer RP (5 bits)
Ri	General-purpose register Ri (8 bits, i = 0 to 7)
×	Indicates that the very × is the immediate data. (Whether its length is 8 or 16 bits is determined by the instruction in use.)
(×)	Indicates that the contents of × is the target of accessing. (Whether its length is 8 or 16 bits is determined by the instruction in use.)
((×))	The address indicated by the contents of × is the target of accessing. (Whether its length is 8 or 16 bits is determined by the instruction in use.)

Columns indicate the following:

Mnemonic: Assembler notation of an instruction

~: Number of instructions

#: Number of bytes

Operation: Operation of an instruction

TL, TH, AH: A content change when each of the TL, TH, and AH instructions is executed. Symbols in the column indicate the following:

- “–” indicates no change.
- dH is the 8 upper bits of operation description data.
- AL and AH must become the contents of AL and AH immediately before the instruction is executed.
- 00 becomes 00.

N, Z, V, C: An instruction of which the corresponding flag will change. If + is written in this column, the relevant instruction will change its corresponding flag.

OP code: Code of an instruction. If an instruction is more than one code, it is written according to the following rule:

Example: 48 to 4F ← This indicates 48, 49, ... 4F.

Table 2 Transfer Instructions (48 instructions)

Mnemonic	~	#	Operation	TL	TH	AH	NZVC	OP code
MOV dir,A	3	2	(dir) ← (A)	-	-	-	-----	45
MOV @IX +off,A	4	2	((IX) +off) ← (A)	-	-	-	-----	46
MOV ext,A	4	3	(ext) ← (A)	-	-	-	-----	61
MOV @EP,A	3	1	((EP)) ← (A)	-	-	-	-----	47
MOV Ri,A	3	1	(Ri) ← (A)	-	-	-	-----	48 to 4F
MOV A,#d8	2	2	(A) ← d8	AL	-	-	++--	04
MOV A,dir	3	2	(A) ← (dir)	AL	-	-	++--	05
MOV A,@IX +off	4	2	(A) ← ((IX) +off)	AL	-	-	++--	06
MOV A,ext	4	3	(A) ← (ext)	AL	-	-	++--	60
MOV A,@A	3	1	(A) ← ((A))	AL	-	-	++--	92
MOV A,@EP	3	1	(A) ← ((EP))	AL	-	-	++--	07
MOV A,Ri	3	1	(A) ← (Ri)	AL	-	-	++--	08 to 0F
MOV dir,#d8	4	3	(dir) ← d8	-	-	-	-----	85
MOV @IX +off,#d8	5	3	((IX) +off) ← d8	-	-	-	-----	86
MOV @EP,#d8	4	2	((EP)) ← d8	-	-	-	-----	87
MOV Ri,#d8	4	2	(Ri) ← d8	-	-	-	-----	88 to 8F
MOVW dir,A	4	2	(dir) ← (AH),(dir + 1) ← (AL)	-	-	-	-----	D5
MOVW @IX +off,A	5	2	((IX) +off) ← (AH), ((IX) +off + 1) ← (AL)	-	-	-	-----	D6
MOVW ext,A	5	3	(ext) ← (AH), (ext + 1) ← (AL)	-	-	-	-----	D4
MOVW @EP,A	4	1	((EP)) ← (AH),(EP) + 1) ← (AL)	-	-	-	-----	D7
MOVW EP,A	2	1	(EP) ← (A)	-	-	-	-----	E3
MOVW A,#d16	3	3	(A) ← d16	AL	AH	dH	++--	E4
MOVW A,dir	4	2	(AH) ← (dir), (AL) ← (dir + 1)	AL	AH	dH	++--	C5
MOVW A,@IX +off	5	2	(AH) ← ((IX) +off), (AL) ← ((IX) +off + 1)	AL	AH	dH	++--	C6
MOVW A,ext	5	3	(AH) ← (ext), (AL) ← (ext + 1)	AL	AH	dH	++--	C4
MOVW A,@A	4	1	(AH) ← ((A)), (AL) ← ((A) + 1)	AL	AH	dH	++--	93
MOVW A,@EP	4	1	(AH) ← ((EP)), (AL) ← ((EP) + 1)	AL	AH	dH	++--	C7
MOVW A,EP	2	1	(A) ← (EP)	-	-	dH	-----	F3
MOVW EP,#d16	3	3	(EP) ← d16	-	-	-	-----	E7
MOVW IX,A	2	1	(IX) ← (A)	-	-	-	-----	E2
MOVW A,IX	2	1	(A) ← (IX)	-	-	dH	-----	F2
MOVW SP,A	2	1	(SP) ← (A)	-	-	-	-----	E1
MOVW A,SP	2	1	(A) ← (SP)	-	-	dH	-----	F1
MOV @A,T	3	1	((A)) ← (T)	-	-	-	-----	82
MOVW @A,T	4	1	((A)) ← (TH),(A) + 1) ← (TL)	-	-	-	-----	83
MOVW IX,#d16	3	3	(IX) ← d16	-	-	-	-----	E6
MOVW A,PS	2	1	(A) ← (PS)	-	-	dH	-----	70
MOVW PS,A	2	1	(PS) ← (A)	-	-	-	++++	71
MOVW SP,#d16	3	3	(SP) ← d16	-	-	-	-----	E5
SWAP	2	1	(AH) ↔ (AL)	-	-	AL	-----	10
SETB dir: b	4	2	(dir): b ← 1	-	-	-	-----	A8 to AF
CLRB dir: b	4	2	(dir): b ← 0	-	-	-	-----	A0 to A7
XCH A,T	2	1	(AL) ↔ (TL)	AL	-	-	-----	42
XCHW A,T	3	1	(A) ↔ (T)	AL	AH	dH	-----	43
XCHW A,EP	3	1	(A) ↔ (EP)	-	-	dH	-----	F7
XCHW A,IX	3	1	(A) ↔ (IX)	-	-	dH	-----	F6
XCHW A,SP	3	1	(A) ↔ (SP)	-	-	dH	-----	F5
MOVW A,PC	2	1	(A) ← (PC)	-	-	dH	-----	F0

Notes: • During byte transfer to A, T ← A is restricted to low bytes.

- Operands in more than one operand instruction must be stored in the order in which their mnemonics are written. (Reverse arrangement of F<sup>2</sup>MC-8 family)

# MB89910 Series

**Table 3 Arithmetic Operation Instructions (62 instructions)**

Mnemonic	~	#	Operation	TL	TH	AH	NZVC	OP code
ADDC A,Ri	3	1	$(A) \leftarrow (A) + (Ri) + C$	-	-	-	++++	28 to 2F
ADDC A,#d8	2	2	$(A) \leftarrow (A) + d8 + C$	-	-	-	++++	24
ADDC A,dir	3	2	$(A) \leftarrow (A) + (dir) + C$	-	-	-	++++	25
ADDC A,@IX +off	4	2	$(A) \leftarrow (A) + ((IX) + off) + C$	-	-	-	++++	26
ADDC A,@EP	3	1	$(A) \leftarrow (A) + ((EP)) + C$	-	-	-	++++	27
ADDCW A	3	1	$(A) \leftarrow (A) + (T) + C$	-	-	dH	++++	23
ADDC A	2	1	$(AL) \leftarrow (AL) + (TL) + C$	-	-	-	++++	22
SUBC A,Ri	3	1	$(A) \leftarrow (A) - (Ri) - C$	-	-	-	++++	38 to 3F
SUBC A,#d8	2	2	$(A) \leftarrow (A) - d8 - C$	-	-	-	++++	34
SUBC A,dir	3	2	$(A) \leftarrow (A) - (dir) - C$	-	-	-	++++	35
SUBC A,@IX +off	4	2	$(A) \leftarrow (A) - ((IX) + off) - C$	-	-	-	++++	36
SUBC A,@EP	3	1	$(A) \leftarrow (A) - ((EP)) - C$	-	-	-	++++	37
SUBCW A	3	1	$(A) \leftarrow (T) - (A) - C$	-	-	dH	++++	33
SUBC A	2	1	$(AL) \leftarrow (TL) - (AL) - C$	-	-	-	++++	32
INC Ri	4	1	$(Ri) \leftarrow (Ri) + 1$	-	-	-	+++-	C8 to CF
INCW EP	3	1	$(EP) \leftarrow (EP) + 1$	-	-	-	----	C3
INCW IX	3	1	$(IX) \leftarrow (IX) + 1$	-	-	-	----	C2
INCW A	3	1	$(A) \leftarrow (A) + 1$	-	-	dH	++--	C0
DEC Ri	4	1	$(Ri) \leftarrow (Ri) - 1$	-	-	-	+++-	D8 to DF
DECW EP	3	1	$(EP) \leftarrow (EP) - 1$	-	-	-	----	D3
DECW IX	3	1	$(IX) \leftarrow (IX) - 1$	-	-	-	----	D2
DECW A	3	1	$(A) \leftarrow (A) - 1$	-	-	dH	++--	D0
MULU A	19	1	$(A) \leftarrow (AL) \times (TL)$	-	-	dH	----	01
DIVU A	21	1	$(A) \leftarrow (T) / (AL), MOD \rightarrow (T)$	dL	00	00	----	11
ANDW A	3	1	$(A) \leftarrow (A) \wedge (T)$	-	-	dH	++R-	63
ORW A	3	1	$(A) \leftarrow (A) \vee (T)$	-	-	dH	++R-	73
XORW A	3	1	$(A) \leftarrow (A) \nabla (T)$	-	-	dH	++R-	53
CMP A	2	1	$(TL) - (AL)$	-	-	-	++++	12
CMPW A	3	1	$(T) - (A)$	-	-	-	++++	13
RORC A	2	1	$\boxed{\rightarrow C \rightarrow A}$	-	-	-	++-+	03
ROLC A	2	1	$\boxed{- C \leftarrow A \leftarrow}$	-	-	-	++-+	02
CMP A,#d8	2	2	$(A) - d8$	-	-	-	++++	14
CMP A,dir	3	2	$(A) - (dir)$	-	-	-	++++	15
CMP A,@EP	3	1	$(A) - ((EP))$	-	-	-	++++	17
CMP A,@IX +off	4	2	$(A) - ((IX) + off)$	-	-	-	++++	16
CMP A,Ri	3	1	$(A) - (Ri)$	-	-	-	++++	18 to 1F
DAA	2	1	Decimal adjust for addition	-	-	-	++++	84
DAS	2	1	Decimal adjust for subtraction	-	-	-	++++	94
XOR A	2	1	$(A) \leftarrow (AL) \nabla (TL)$	-	-	-	++R-	52
XOR A,#d8	2	2	$(A) \leftarrow (AL) \nabla d8$	-	-	-	++R-	54
XOR A,dir	3	2	$(A) \leftarrow (AL) \nabla (dir)$	-	-	-	++R-	55
XOR A,@EP	3	1	$(A) \leftarrow (AL) \nabla ((EP))$	-	-	-	++R-	57
XOR A,@IX +off	4	2	$(A) \leftarrow (AL) \nabla ((IX) + off)$	-	-	-	++R-	56
XOR A,Ri	3	1	$(A) \leftarrow (AL) \nabla (Ri)$	-	-	-	++R-	58 to 5F
AND A	2	1	$(A) \leftarrow (AL) \wedge (TL)$	-	-	-	++R-	62
AND A,#d8	2	2	$(A) \leftarrow (AL) \wedge d8$	-	-	-	++R-	64
AND A,dir	3	2	$(A) \leftarrow (AL) \wedge (dir)$	-	-	-	++R-	65

(Continued)

## MB89910 Series

(Continued)

Mnemonic	~	#	Operation	TL	TH	AH	NZVC	OP code
AND A,@EP	3	1	$(A) \leftarrow (AL) \wedge ((EP))$	-	-	-	++R-	67
AND A,@IX +off	4	2	$(A) \leftarrow (AL) \wedge ((IX) + \text{off})$	-	-	-	++R-	66
AND A,Ri	3	1	$(A) \leftarrow (AL) \wedge (Ri)$	-	-	-	++R-	68 to 6F
OR A	2	1	$(A) \leftarrow (AL) \vee (TL)$	-	-	-	++R-	72
OR A,#d8	2	2	$(A) \leftarrow (AL) \vee d8$	-	-	-	++R-	74
OR A,dir	3	2	$(A) \leftarrow (AL) \vee (\text{dir})$	-	-	-	++R-	75
OR A,@EP	3	1	$(A) \leftarrow (AL) \vee ((EP))$	-	-	-	++R-	77
OR A,@IX +off	4	2	$(A) \leftarrow (AL) \vee ((IX) + \text{off})$	-	-	-	++R-	76
OR A,Ri	3	1	$(A) \leftarrow (AL) \vee (Ri)$	-	-	-	++R-	78 to 7F
CMP dir,#d8	5	3	$(\text{dir}) - d8$	-	-	-	++++	95
CMP @EP,#d8	4	2	$((EP)) - d8$	-	-	-	++++	97
CMP @IX +off,#d8	5	3	$((IX) + \text{off}) - d8$	-	-	-	++++	96
CMP Ri,#d8	4	2	$(Ri) - d8$	-	-	-	++++	98 to 9F
INCW SP	3	1	$(SP) \leftarrow (SP) + 1$	-	-	-	----	C1
DECW SP	3	1	$(SP) \leftarrow (SP) - 1$	-	-	-	----	D1

Table 4 Branch Instructions (17 instructions)

Mnemonic	~	#	Operation	TL	TH	AH	NZVC	OP code
BZ/BEQ rel	3	2	If $Z = 1$ then $PC \leftarrow PC + \text{rel}$	-	-	-	----	FD
BNZ/BNE rel	3	2	If $Z = 0$ then $PC \leftarrow PC + \text{rel}$	-	-	-	----	FC
BC/BLO rel	3	2	If $C = 1$ then $PC \leftarrow PC + \text{rel}$	-	-	-	----	F9
BNC/BHS rel	3	2	If $C = 0$ then $PC \leftarrow PC + \text{rel}$	-	-	-	----	F8
BN rel	3	2	If $N = 1$ then $PC \leftarrow PC + \text{rel}$	-	-	-	----	FB
BP rel	3	2	If $N = 0$ then $PC \leftarrow PC + \text{rel}$	-	-	-	----	FA
BLT rel	3	2	If $V \vee N = 1$ then $PC \leftarrow PC + \text{rel}$	-	-	-	----	FF
BGE rel	3	2	If $V \vee N = 0$ then $PC \leftarrow PC + \text{rel}$	-	-	-	----	FE
BBC dir: b,rel	5	3	If $(\text{dir}: b) = 0$ then $PC \leftarrow PC + \text{rel}$	-	-	-	-+--	B0 to B7
BBS dir: b,rel	5	3	If $(\text{dir}: b) = 1$ then $PC \leftarrow PC + \text{rel}$	-	-	-	-+--	B8 to BF
JMP @A	2	1	$(PC) \leftarrow (A)$	-	-	-	----	E0
JMP ext	3	3	$(PC) \leftarrow \text{ext}$	-	-	-	----	21
CALLV #vct	6	1	Vector call	-	-	-	----	E8 to EF
CALL ext	6	3	Subroutine call	-	-	-	----	31
XCHW A,PC	3	1	$(PC) \leftarrow (A), (A) \leftarrow (PC) + 1$	-	-	dH	----	F4
RET	4	1	Return from subroutine	-	-	-	----	20
RETI	6	1	Return from interrupt	-	-	-	Restore	30

Table 5 Other Instructions (9 instructions)

Mnemonic	~	#	Operation	TL	TH	AH	NZVC	OP code
PUSHW A	4	1		-	-	-	----	40
POPW A	4	1		-	-	dH	----	50
PUSHW IX	4	1		-	-	-	----	41
POPW IX	4	1		-	-	-	----	51
NOP	1	1		-	-	-	----	00
CLRC	1	1		-	-	-	---R	81
SETC	1	1		-	-	-	---S	91
CLRI	1	1		-	-	-	----	80
SETI	1	1		-	-	-	----	90

# MB89910 Series

L/H	0	1	2	3	4	5	6	7	8	9	A	B	C	D	E	F
0	NOP	SWAP	RET	RETI	PUSHW A	POPW A	MOV A,ext	MOVW A,PS	CLRI	SETI	CLRB dir:0	BBC dir:0,rel	INCW A	DECW A	JMP @A	MOVW A,PC
1	MULLU A	DIVU A	JMP addr16	CALL addr16	PUSHW IX	POPW IX	MOV ext,A	MOVW PS,A	CLRC	SETC	CLRB dir:1	BBC dir:1,rel	INCW SP	DECW SP	MOVW SPA	MOVW A,SP
2	ROLC A	CMP A	ADDC A	SUBC A	XCH A,T	XOR A	AND A	OR A	MOV @A,T	MOV A,@A	CLRB dir:2	BBC dir:2,rel	INCW IX	DECW IX	MOVW IX,A	MOVW A,IX
3	RORC A	CMPW A	ADDCW A	SUBCW A	XCHW A,T	XORW A	ANDW A	ORW A	MOVW @A,T	MOVW A,@A	CLRB dir:3	BBC dir:3,rel	INCW EP	DECW EP	MOVW EPA	MOVW A,EP
4	MOV A,#d8	CMP A,#d8	ADDC A,#d8	SUBC A,#d8	/	XOR A,#d8	AND A,#d8	OR A,#d8	DAA	DAS	CLRB dir:4	BBC dir:4,rel	MOVW A,ext	MOVW ext,A	MOVW A,#d16	XCHW A,PC
5	MOV A,dir	CMP A,dir	ADDC A,dir	SUBC A,dir	MOV dir,A	XOR A,dir	AND A,dir	OR A,dir	MOV dir,#d8	CMP dir,#d8	CLRB dir:5	BBC dir:5,rel	MOVW A,dir	MOVW dir,A	MOVW SP,#d16	XCHW A,SP
6	MOV A,@IX+d	CMP A,@IX+d	ADDC A,@IX+d	SUBC A,@IX+d	MOV @IX+d,A	XOR @A,IX+d	AND A,@IX+d	OR A,@IX+d	MOV @IX+d,#d8	CMP @IX+d,#d8	CLRB dir:6	BBC dir:6,rel	MOVW A,@IX+d	MOVW @IX+d,A	MOVW IX,#d16	XCHW A,IX
7	MOV A,@EP	CMP A,@EP	ADDC A,@EP	SUBC A,@EP	MOV @EPA	XOR A,@EP	AND A,@EP	OR A,@EP	MOV @EP,#d8	CMP @EP,#d8	CLRB dir:7	BBC dir:7,rel	MOVW A,@EP	MOVW @EPA	MOVW EP,#d16	XCHW A,EP
8	MOV A,R0	CMP A,R0	ADDC A,R0	SUBC A,R0	MOV R0,A	XOR A,R0	AND A,R0	OR A,R0	MOV R0,#d8	CMP R0,#d8	SETB dir:0	BBS dir:0,rel	INC R0	DEC R0	CALLV #0	BNC rel
9	MOV A,R1	CMP A,R1	ADDC A,R1	SUBC A,R1	MOV R1,A	XOR A,R1	AND A,R1	OR A,R1	MOV R1,#d8	CMP R1,#d8	SETB dir:1	BBS dir:1,rel	INC R1	DEC R1	CALLV #1	BC rel
A	MOV A,R2	CMP A,R2	ADDC A,R2	SUBC A,R2	MOV R2,A	XOR A,R2	AND A,R2	OR A,R2	MOV R2,#d8	CMP R2,#d8	SETB dir:2	BBS dir:2,rel	INC R2	DEC R2	CALLV #2	BP rel
B	MOV A,R3	CMP A,R3	ADDC A,R3	SUBC A,R3	MOV R3,A	XOR A,R3	AND A,R3	OR A,R3	MOV R3,#d8	CMP R3,#d8	SETB dir:3	BBS dir:3,rel	INC R3	DEC R3	CALLV #3	BN rel
C	MOV A,R4	CMP A,R4	ADDC A,R4	SUBC A,R4	MOV R4,A	XOR A,R4	AND A,R4	OR A,R4	MOV R4,#d8	CMP R4,#d8	SETB dir:4	BBS dir:4,rel	INC R4	DEC R4	CALLV #4	BNZ rel
D	MOV A,R5	CMP A,R5	ADDC A,R5	SUBC A,R5	MOV R5,A	XOR A,R5	AND A,R5	OR A,R5	MOV R5,#d8	CMP R5,#d8	SETB dir:5	BBS dir:5,rel	INC R5	DEC R5	CALLV #5	BZ rel
E	MOV A,R6	CMP A,R6	ADDC A,R6	SUBC A,R6	MOV R6,A	XOR A,R6	AND A,R6	OR A,R6	MOV R6,#d8	CMP R6,#d8	SETB dir:6	BBS dir:6,rel	INC R6	DEC R6	CALLV #6	BGE rel
F	MOV A,R7	CMP A,R7	ADDC A,R7	SUBC A,R7	MOV R7,A	XOR A,R7	AND A,R7	OR A,R7	MOV R7,#d8	CMP R7,#d8	SETB dir:7	BBS dir:7,rel	INC R7	DEC R7	CALLV #7	BLT rel



## ■ INSTRUCTION MAP

{

{

# MB89910 Series

## ■ MASK OPTIONS

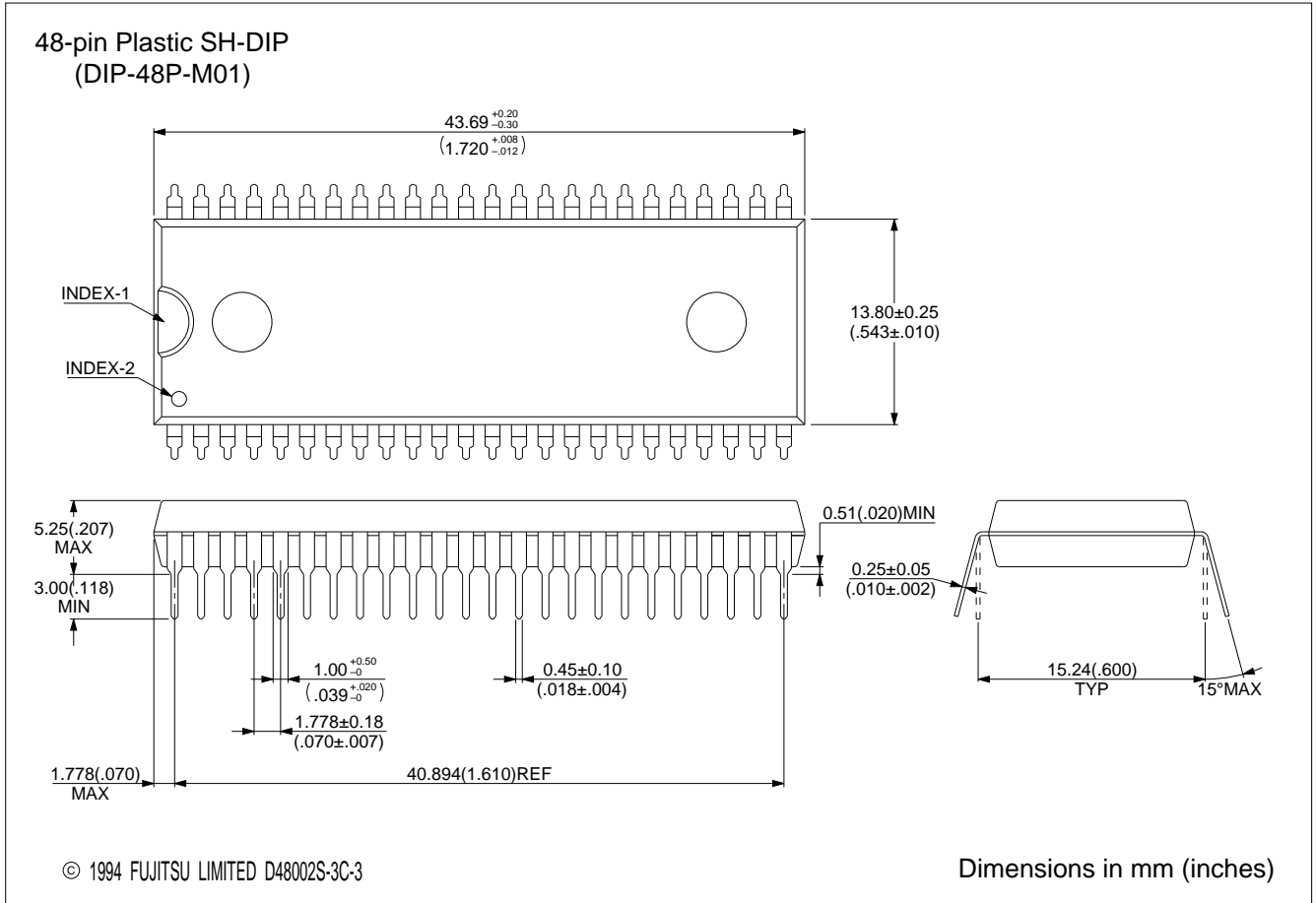
No.	Part number	MB89PV910		MB89913 MB89915	MB89P915	
		-101	-102		-101	-102
	Specifying procedure	Setting not possible	Setting not possible	Specify when ordering masking	Setting not possible	Setting not possible
1	Selection either single or dual clock Single-clock mode Dual-clock mode	Single clock	Dual clock	Selectable	Single clock	Dual clock
2	Pull-down resistors P17 to P10 P27 to P20 P51, P50	All pins fixed to without pull-down resistor		Can be selected per pin.	All pins fixed to without pull-down resistor	
3	Voltage to be detected for low-voltage detection reset 3.3 ± 0.3 V 3.6 ± 0.3 V 4.0 ± 0.3 V	Cannot be used.		Selectable	Can be set by register.	

## ■ ORDERING INFORMATION

Part number	Package	Remarks
MB89913P-SH MB89915P-SH MB89P915P-101-SH MB89P915P-102-SH	48-pin Plastic SH-DIP (DIP-48P-M01)	
MB89913PF MB89915PF MB89P915PF-101 MB89P915PF-102	48-pin Plastic QFP (FPT-48P-M15)	
MB89PV910C-101-ES-SH MB89PV910C-102-ES-SH	64-pin Ceramic MDIP (MDP-64C-P02)	

# MB89910 Series

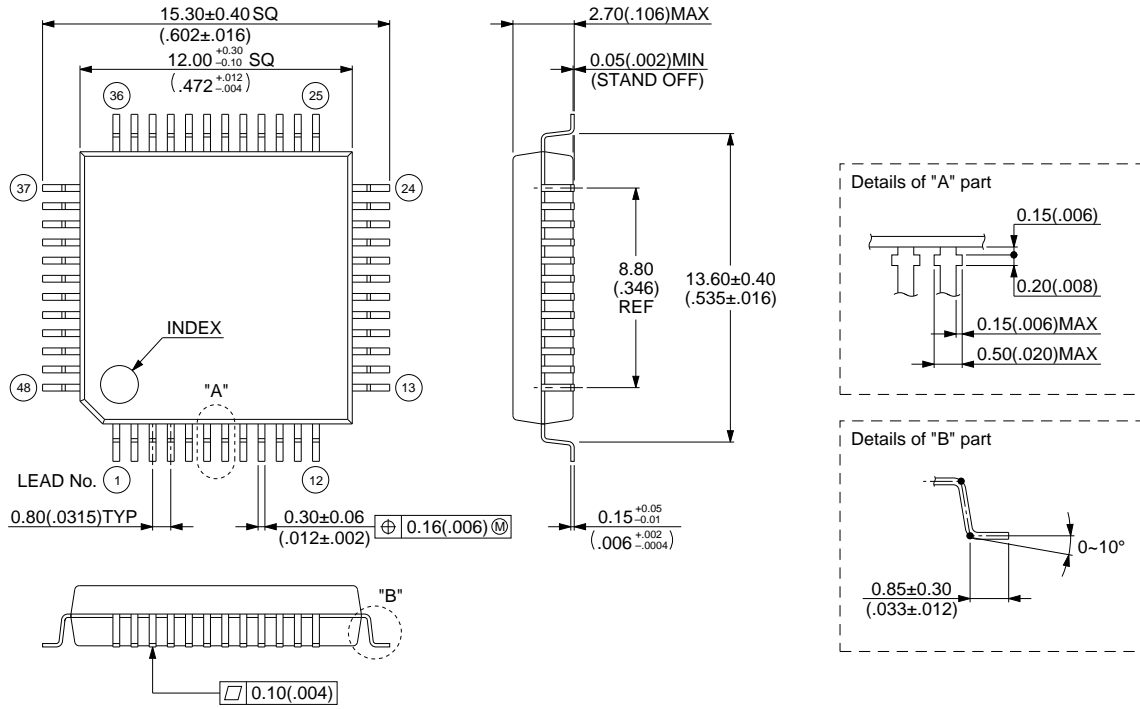
## ■ PACKAGE DIMENSIONS



# MB89910 Series

(Continued)

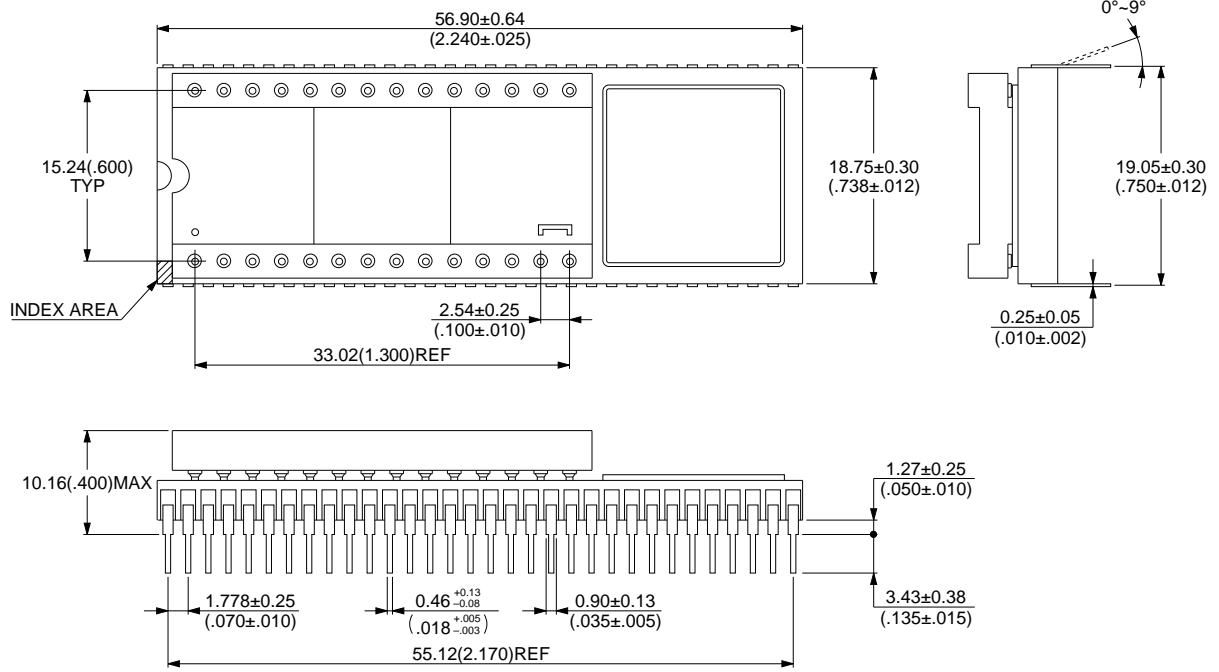
## 48-pin Plastic QFP (FPT-48P-M15)



# MB89910 Series

(Continued)

## 64-pin Ceramic MDIP (MDP-64C-P02)



© 1994 FUJITSU LIMITED M64002SC-1-4

Dimensions in mm (inches)

# MB89910 Series

## FUJITSU LIMITED

*For further information please contact:*

### Japan

FUJITSU LIMITED  
Corporate Global Business Support Division  
Electronic Devices  
KAWASAKI PLANT, 4-1-1, Kamikodanaka  
Nakahara-ku, Kawasaki-shi  
Kanagawa 211-88, Japan  
Tel: (044) 754-3753  
Fax: (044) 754-3329

### North and South America

FUJITSU MICROELECTRONICS, INC.  
Semiconductor Division  
3545 North First Street  
San Jose, CA 95134-1804, U.S.A.  
Tel: (408) 922-9000  
Fax: (408) 432-9044/9045

### Europe

FUJITSU MIKROELEKTRONIK GmbH  
Am Siebenstein 6-10  
63303 Dreieich-Buchschlag  
Germany  
Tel: (06103) 690-0  
Fax: (06103) 690-122

### Asia Pacific

FUJITSU MICROELECTRONICS ASIA PTE. LIMITED  
#05-08, 151 Lorong Chuan  
New Tech Park  
Singapore 556741  
Tel: (65) 281 0770  
Fax: (65) 281 0220

All Rights Reserved.

The contents of this document are subject to change without notice. Customers are advised to consult with FUJITSU sales representatives before ordering.

The information and circuit diagrams in this document presented as examples of semiconductor device applications, and are not intended to be incorporated in devices for actual use. Also, FUJITSU is unable to assume responsibility for infringement of any patent rights or other rights of third parties arising from the use of this information or circuit diagrams.

FUJITSU semiconductor devices are intended for use in standard applications (computers, office automation and other office equipment, industrial, communications, and measurement equipment, personal or household devices, etc.).

#### CAUTION:

Customers considering the use of our products in special applications where failure or abnormal operation may directly affect human lives or cause physical injury or property damage, or where extremely high levels of reliability are demanded (such as aerospace systems, atomic energy controls, sea floor repeaters, vehicle operating controls, medical devices for life support, etc.) are requested to consult with FUJITSU sales representatives before such use. The company will not be responsible for damages arising from such use without prior approval.

Any semiconductor devices have inherently a certain rate of failure. You must protect against injury, damage or loss from such failures by incorporating safety design measures into your facility and equipment such as redundancy, fire protection, and prevention of over-current levels and other abnormal operating conditions.

If any products described in this document represent goods or technologies subject to certain restrictions on export under the Foreign Exchange and Foreign Trade Control Law of Japan, the prior authorization by Japanese government should be required for export of those products from Japan.